

PoleStar™

Installation Instructions

PM-SAFETY-6DSS

Safety Cable Anchor Point, Stainless

Thank you for choosing the PoleStar™ PM-SAFETY-6DSS safety cable anchor point. This stainless safety cable anchor point is designed to adapt the 2" and larger poles or column to provide an anchor point for safety cables attachment.

Important:

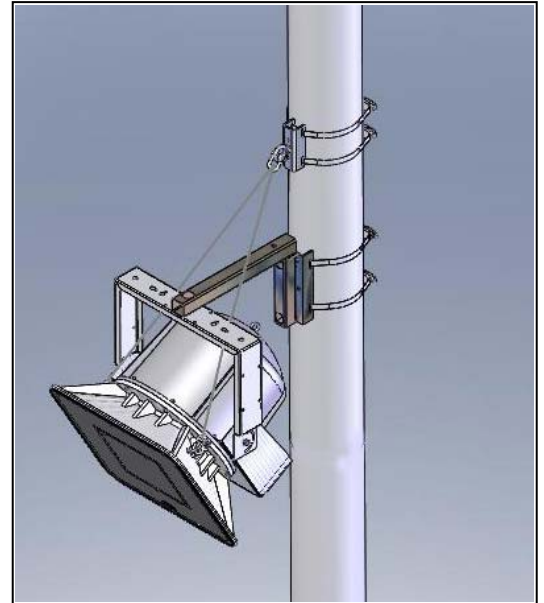
Mounting overhead systems require experienced professionals. *Improperly installed audio equipment can result in property damage, personal injury, death and/or liability to the installing contractor.* Do not install if in doubt about the integrity of the mounting structure.

Caution: Due to the wide variety of mounting structures, environments, materials, mounting methods, the installing contractor have to exercise good judgment in selecting the proper mounting area and hardware.

Follow these instructions for the most efficient and safest mounting results.

Package Contents:

Qty	Description	Qty	Description
1 pc.	PM-SAFETY-6DSS	2 pcs	Flat washer, 1/2
1 pc	1/2-13 Eyebolt, zinc	1 pc	Nylock Nut, 1/2-13
1 pc	5/16 shackle, zinc	1 pc	Instruction sheet



Step 1.

Assemble eyebolt to the center hole of the channel using the supplied flat washers and nylock nut. Tighten nut, but make sure that the eyebolt can still rotate easily (Figure 1).

Step 2. Secure Anchor point:

Attached the PM-SAFETY-6DSS to a pole using the selected type of banding strap (Figure 2). Makes sure the selected banding strap is capable of supporting the load.

See PM-Band-Series Instruction sheets.

- For 2"-6" poles use PM-BAND-20S (150 lbs working load)
- For 4"-9" poles use PM-BAND-30 (300 Lbs working load)
- For 4-19" poles use PM-BAND-60 (300 Lbs working load)
- For 4"-28" poles use PM-BAND-90 (300 Lbs working load)

Figure 1 shows an example of a PM-BAND series type of installation: PM-Band Series sold separately

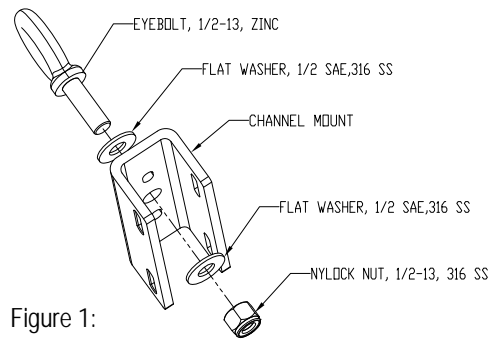


Figure 1:

Step 3. Attach Safety Cable to PM-SAFETY-6DSS

Attach the loop of the safety cable or the CC-0096 adjustable length safety cable to the eyebolt of the PM-SAFETY-6DSS using the supplied 5/16 shackle (Figure 3A and 3B).

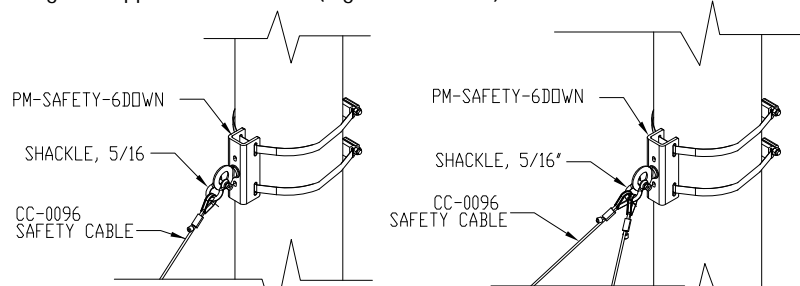
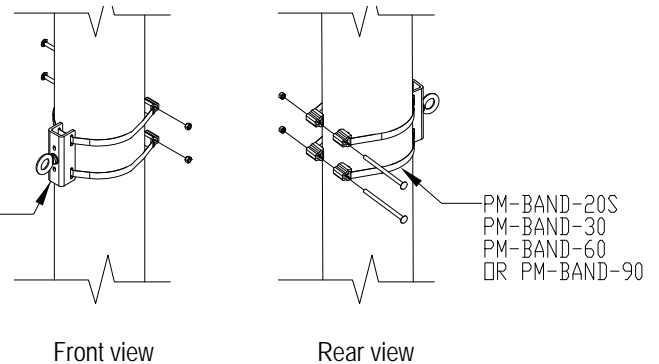


Figure 3A: Single safety cable application

Figure 3B: Double safety cable application



Front view

Rear view

Figure 2: Shown With PM-BAND-30 installation