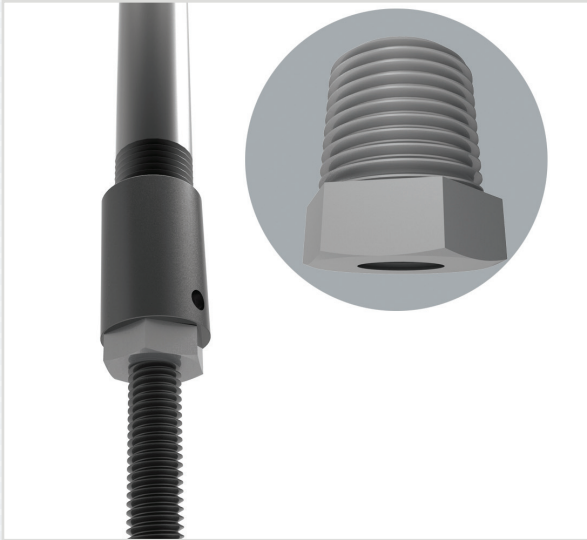


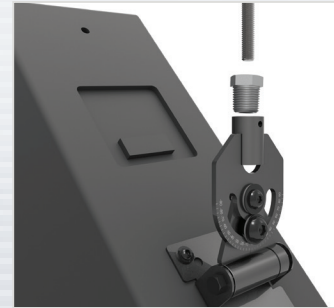
# PIPE-514-513-PR

1/2 inch Threaded Pipe to 1/2 inch Threaded Rod Coupler

Pipe & Attachments



The PIPE-514-513-PR Pipe Reducer gives installers the option to pair 1/2 inch threaded rod with 1/2 inch threaded pipe. Common uses range from dropping from truss clamp to pipe or dropping from unistrut to threaded rod.



## STANDARD FEATURES:

- ▶ Pair 1/2 inch threaded rod with 1/2 inch threaded pipe
- ▶ Couple 1/2 inch pipe or threaded rod with overhead hardware

## OPTIONAL ACCESSORIES:

- ▶ Pipe-500-CPLNG
- ▶ CG-500NPS-PEC
- ▶ MM-3RDX-18

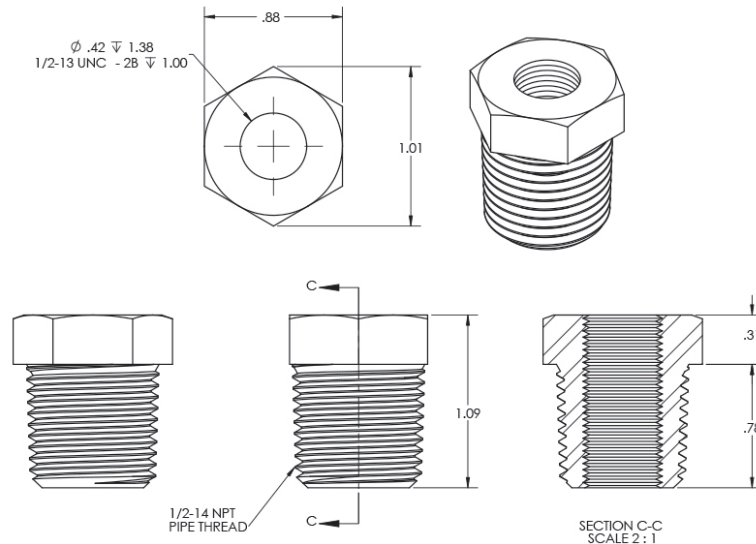
## SPECIFICATIONS:

**Material:** Steel  
**Finish:** Black Zinc  
**Color:** Black  
**WLL:** 1,180lb / 535.2kg  
**Design Factor:** 10:1

## PACKAGE CONTENTS:

**1pc** .5" Pipe to .5" Coupler

## Dimensions



Rated for indoor use.

## ALWAYS INSTALL SAFETY CABLES

**WARNING:** Mounting and/or suspension of audio and video equipment requires experienced professionals. Improperly installed loudspeakers can result in property damage, personal injury and/or liability to the installing contractor.