

# SBC12-17-CA-20

# 430 lb WLL

## Swivel Arm Beam Clamp With Rotating Suspension Arm

## BeamWare™



Pan & Tilt from I-Beam

Swivel Structural Beam Clamps are time-saving rigging solutions that provide a safe and load-rated method of securing loads from horizontal Beams. Once anchored to a beam, they provide a simple and reliable method for aiming loudspeakers and other objects.

Swivel Beam Clamps secure to a building's overhead structural beams, steel or wood, for widths ranging from 12" to 17" (305 to 432mm) wide.

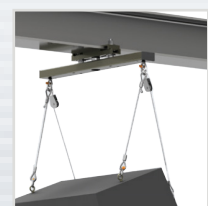
It's lower suspension arm rotates 360 degrees for precise aiming.



U-Bracket Option



Wood Beam Option  
Vertical Orientation



Dual Tilt Kit Option  
Horizontal Orientation

### STANDARD FEATURES:

- ▶ Quick Mount & Aim, attaches to I-Beams
- ▶ Provides safe load-rated suspension
- ▶ Powder Coated Black

### OPTIONAL ACCESSORIES:

- ▶ AJ-1524 - Adjustable U-Bracket
- ▶ TCK Series - Adjustable Tilt Cable Kit
- ▶ FC Series - Fixed Length Wire Rope Assemblies
- ▶ BC-LAM-KIT - Laminated Beam Adapter Kit

### SPECIFICATIONS:

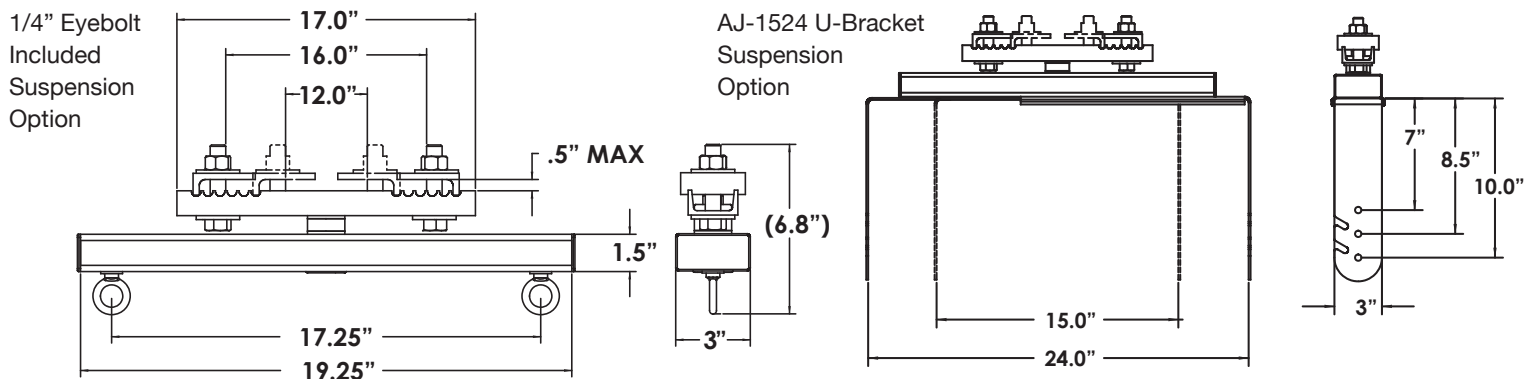
**Materials:** Structural Steel Alloy  
**Finish:** Powder Coat  
**Color:** Black  
**Pan Rotation:** 360°  
**WLL:** 430 lb / 195.5 Kg  
**Design Factor:** 7:1 Ratio  
**Product Weight:** 16.4 lb / 7.4 Kg

### PACKAGE CONTENTS:

**1pc:** Beam Clamp  
**1pc:** Swing Arm  
**2pc:** Eyebolts  
**1bag:** Hardware Kit



Rated for indoor use.



### ALWAYS INSTALL SAFETY CABLES

**WARNING:** Mounting and/or suspension of audio and video equipment requires experienced professionals. Improperly installed loudspeakers can result in property damage, personal injury and/or liability to the installing contractor.