

PM-SB-BAND-90

300 lb WLL

BANDING KITS FOR POLES AND COLUMNS

PoleStar®



Secure signs, mounts and other objects to round poles and columns using this band kit. The PM-Band-90 kit offers a pair of 90" long bands and tensioning hardware. This kit is designed for pole diameters from 6" (152mm) to 25" / 635mm. The unique bolt kit requires only a socket wrench to secure and tension bands by hand. No special tools or equipment necessary. The 201 stainless band material is easy to work with offers high strength, a clean appearance and good resistance to oxidation and weathering. These kits are great for both indoor and outdoor use. Custom lengths are available too.

For marine applications, please ask our customer service for an alternative grade of stainless steel banding.



STANDARD FEATURES:

- ▶ Installs with a wrench
 - ▶ Stainless materials for outdoor use
 - ▶ Two bands & bolt kits
 - ▶ Attaches to round poles and columns
- * Not designed for square poles

SPECIFICATIONS:

Material: Stainless Steel
Finish: Silver
WLL: 300 lb / 136 Kg single speaker
 *WLL = Working Load Limit

PACKAGED CONTENTS:

2pcs 90" long 3/4" strap
2pcs Bolt Kit

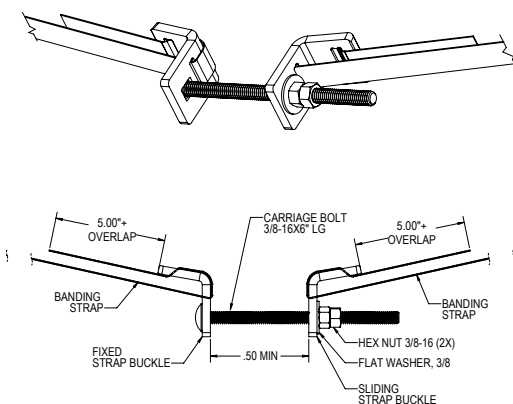


Rated for outdoor use.

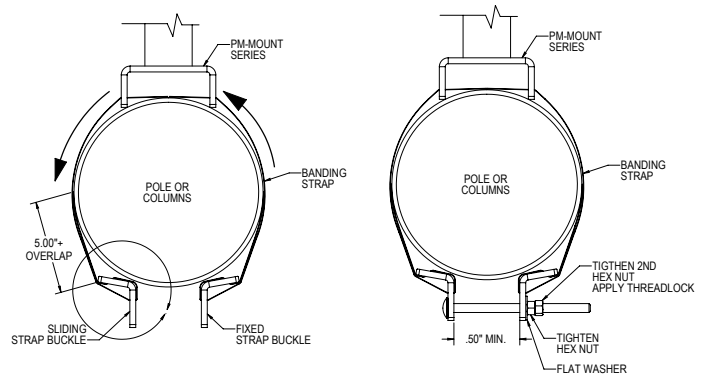
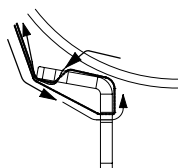
Model	Length	Width	Max Dia.	WLL	Weight
PM-SB-BAND-90	90"/228.6mm	.75/19mm	25"/635mm	300 / 136 Kg	2.5 lb. / 1.1 Kg

DIMENSIONS:

Band Buckle Bolt Kit



Band Buckle



Adaptive Technologies Group
 1635 E. Burnett Street | Signal Hill, CA 90755 USA
 Ph: 562.424.1100 | Fax: 562.424.3520
 www.adaptivetechnologiesgroup.com



ALWAYS INSTALL SAFETY CABLES

WARNING: Mounting and/or suspension of equipment requires experienced professionals. Improperly installed equipment can result in property damage, personal injury and/or liability to the installing contractor.