



The SAS-500-WM line array wall mount is a load rated universal wall arm system for mounting loudspeakers weighting up to 500lb/228 kg to walls & other vertical structures.

Note to installers

Due to the wide variety of wall structures, materials and mounting methods, these instructions assume that the installing contractor will exercise proper judgment in selecting the mounting area and hardware.

As a guide, the installation, when complete should be capable of supporting 5 to 10 times the actual applied load. Also, always use a backup safety system such as a safety cable.

To assure a trouble-free installation, read and follow these instructions carefully before beginning. If you have doubts about the integrity of the structure you are mounting to or you are not sure about the proper hardware to use, consult a structural and/or hardware specialist.

Be sure that all the following items are included in this kit before proceeding:

1 pc	32" Wall Mount Assembly	2 pcs	1/2"-13 x 3.5" Eyebolt
1 pc	27" Cross Arm Tube	3 pcs	1/2"-13 Nylock Nut
6 pcs	1/2" Flat Washer	3 pcs	1/2" Split Lock Washer
2 pcs	2" sq rib Endcap	2 pcs	3/8" Shackle
1 pc	.5 IDx1.5 OD Nylon Washer	1 pc	1/2"-13 x 5.5" Hex Cap Bolt
2 pcs	3/8"-16x1.25 Eyebolt	4 pcs	3/8" Flat Washer
2 pcs	3/8-16 Nylock Nut		
1 pc	Instruction Sheet		

NOTE: Screws, bolts, and washers to attach line array wall mount to structure are not included.

Step 1:

Locate and mark the desired installation area. If needed mark the wall with the mounting holes of the SAS-500-WM using the top and bottom center holes.

Step 2:

Attach the line array wall mount to the wood structure using the appropriate hardware, such as lag screws for wood structure and 1/2" dia. anchor bolts for concrete walls. Make sure that the wall is strong enough to carry the 5 times the load of the speaker and wall arm. Consult with your local hardware specialist for the proper hardware to use (Figure 1).



ALWAYS INSTALL SAFETY CABLES

WARNING: Mounting and/or suspension loudspeakers requires experienced professionals. Improperly installed loudspeakers can result in property damage, personal injury and/or liability to the installing contractor

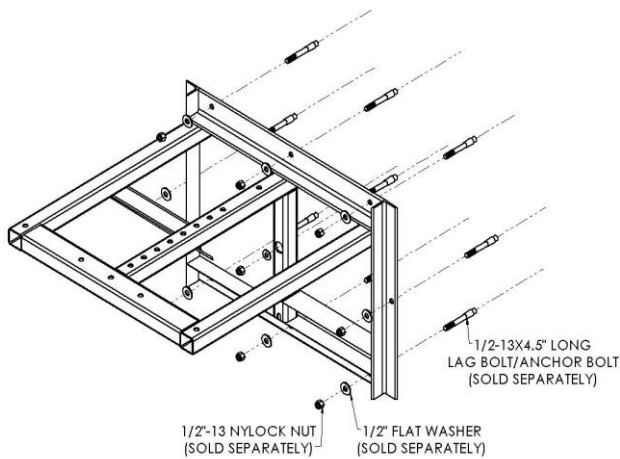


Figure 1

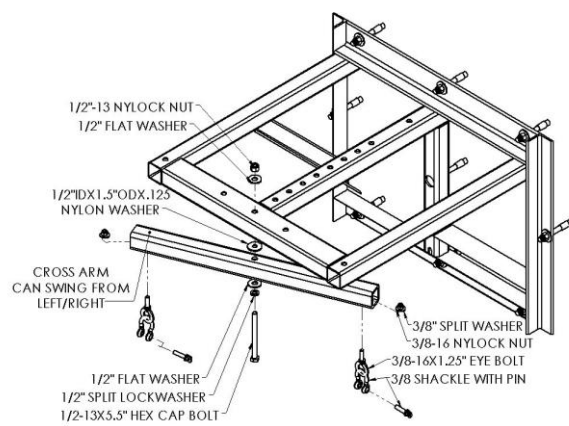


Figure 2

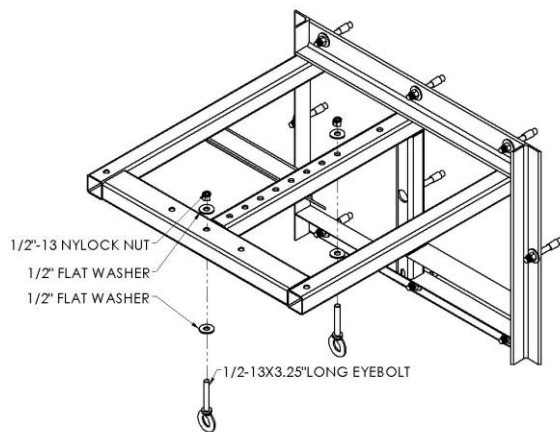


Figure 3

Note: Do not directly install to drywall without proper backing plates or plywood.

Step 3: Install Cross-Arm

Install cross-arm to the selected hole of the line array wall mount using the provided hardware. Make sure that the neo-washer is in between the Cross arm and the wall arm tube. Position the desired speaker direction then permanently tighten the bolts (Figure 2).

Step 4: Attach Speaker (Without Using of Cross Arm)

To attach speaker without using of cross-arm, Attach the 1/2-13x3.25" eyebolt with the line array wall mount using the provided hardware, after that attach the linary-grid frame to the eyebolt using the shackle with pin. In last attach the linary- speaker to the linary-grid frame (Figure 3 & Figure 4).

Step 5: Recommendation- Install Safety Cable

Install safety cable to the structure and then attach the other end of the safety cables to the speakers to bypass the mounting system. Attachment to structure must be able to support 5 times the load of the speaker and wall arm mount.

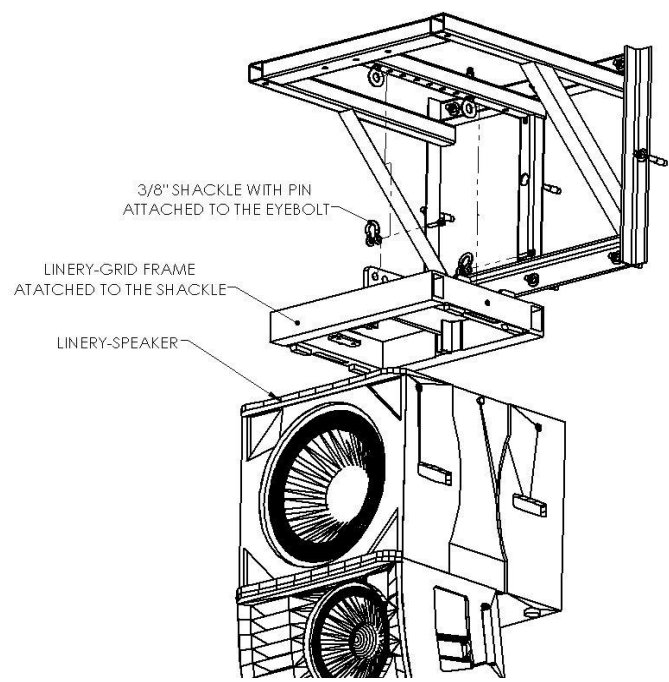


Figure 4