

The SAS-750-WM line array wall mount is a load rated universal wall arm system for mounting line array loudspeakers weighting up to 750 lb/340 kg to walls & other vertical structures.

#### **Note to installers**

Due to the wide variety of wall structures, materials and mounting methods, these instructions assume that the installing contractor will exercise proper judgment in selecting the mounting area and hardware.

As a guide, the installation, when complete should be capable of supporting 5 to 10 times the actual applied load. Also, always use a backup safety system such as a safety cable.

To assure a trouble-free installation, read and follow these instructions carefully before beginning. If you have doubts about the integrity of the structure you are mounting to or you are not sure about the proper hardware to use, consult a structural and/or hardware specialist.

Be sure that all of the following items are included in this kit before proceeding:

1 pc Wall mount Assy,37.5"	1 pc 28" Cross arm
1 pc Hardware kit bag	1 pc Instruction sheet

Note: Screws, bolts and washers to attach SAS-750-WM to structure are not included.

#### **Step 1:**

Locate and mark the desired installation area. If needed mark the wall with the mounting holes of the SAS-750-WM using the top and bottom center holes.

#### **Step 2:**

Attach the line array wall mount to the vertical structure using the appropriate hardware, such as lag screws for wood structure and 1/2" dia. anchor bolts for concrete walls. Make sure that the wall is strong enough to carry 5 times the load of the speaker and wall arm. Consult with your local hardware specialist for the proper hardware to use (Figure 1).

**Note: Do not directly install to drywall without proper backing plates or plywood.**

#### **Step 3:**

Install cross-arm to the selected hole of the line array wall mount using the provided hardware. Make sure that the neo-washer is in between the Cross arm and the wall arm tube. Position the desire speaker direction then permanently tighten the bolts (Figure 2).

#### **Step 4: Without Cross Arm**

To attach speaker without using of cross-arm, Attach the 1/2-13x5.5" eyebolt , flat washer and nyloc nut to the center tube (Figure 3a). or attached the 1/2-13x5.5" eyebolt, flat washer and nyloc to the side tubes (Figure 3b). Attach the line array grid frame to the eyebolts using shackle and cable sling, if needed.

#### **Note:**

**Location of eyebolts depends on the line array's frame/rigging grid suspension points. Refer to manufacturers manual.**



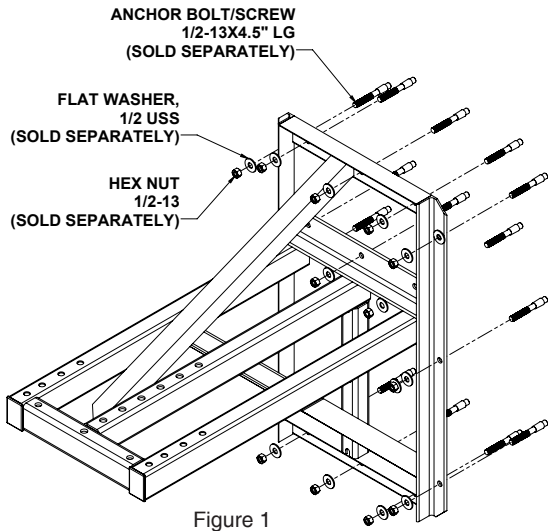


Figure 1

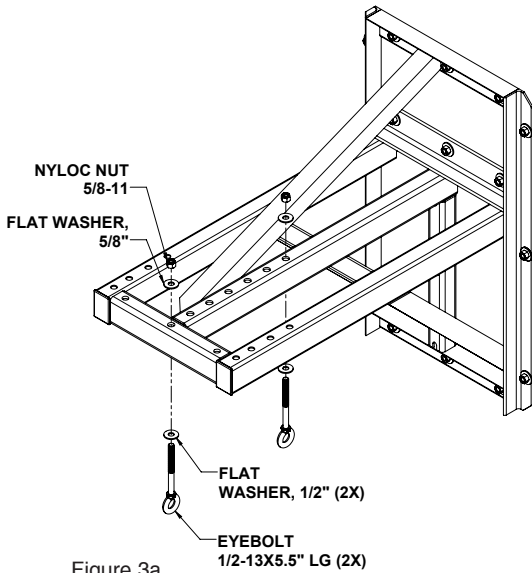


Figure 3a

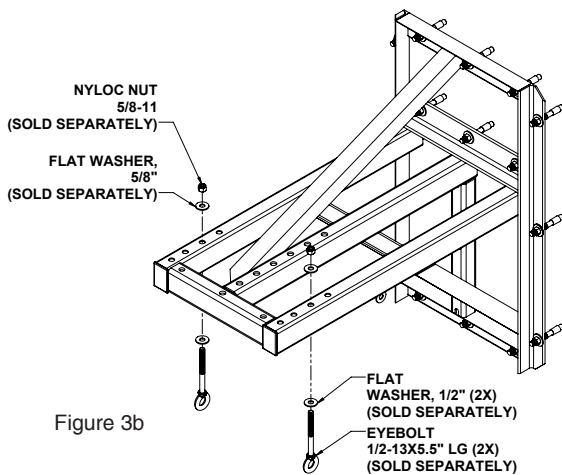


Figure 3b

### Step 5: With Cross Arm

Attach the the line array rigging grid/ frame to the eyebolts of the cross arm using load rated shackles and cable sling, if needed (Figure 4).

### Step 6:

Rotate line array to desired direction by rotating the cross arm. Tighten cross arm bolt permanently after final direction is set.

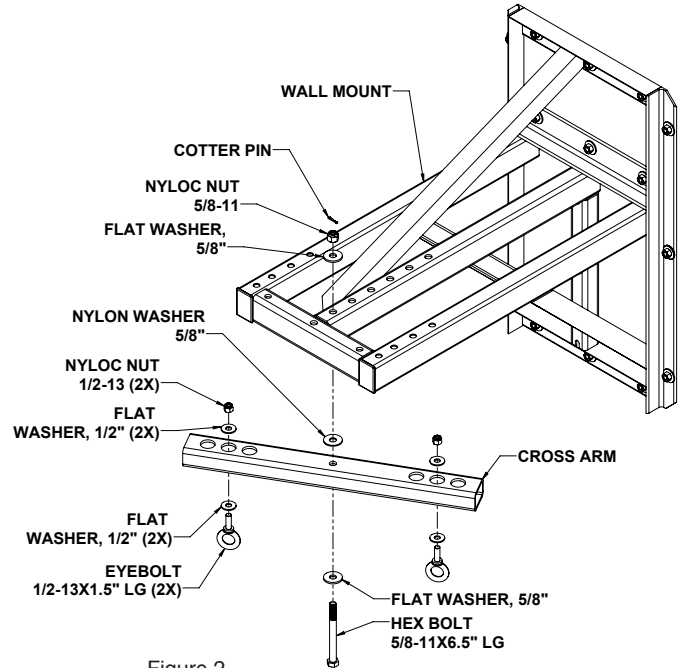


Figure 2

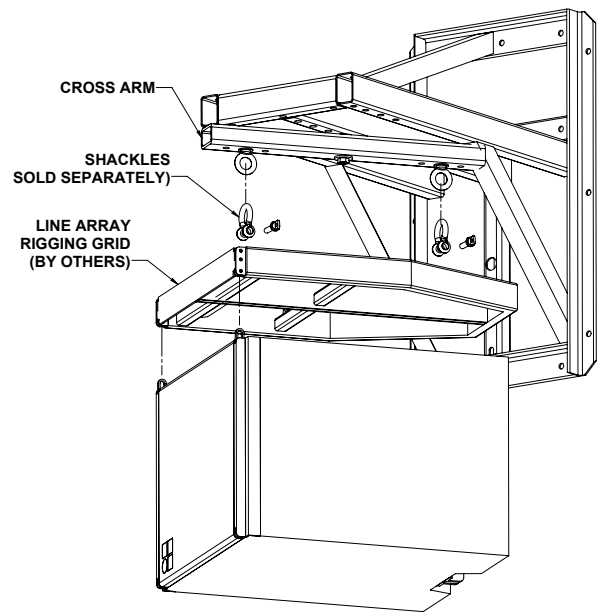


Figure 4