

CG-EB-500-KT

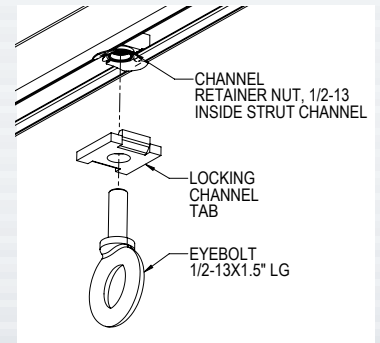
STRUT SUSPENSION KIT

Secure Hang Point



Adjustable Hang Point

This easy to install rigging anchor kit provides a secure hang point for most horizontal indoor applications and adjusts to its selected position along the length of the strut. Use multiple struts and anchors to suspend most objects within the working load limits of the selected strut. The kits includes a load-rated 1/2" eye bolt, a retainer nut that seats on top of the strut flanges, inside the strut, and a locking channel tab that clamps to the flanges from the outside. Tighten the eye bolt at the desired location or slide to another position then re-tighten.



Suspension Kit

STANDARD FEATURES:

- ▶ Provides a secure rigging point
- ▶ Easy to install and adjustable
- ▶ Uses load-rated components

OPTIONAL ACCESSORIES:

- ▶ See Shackle data sheet [Click Here](#)
- ▶ See Quick Link data sheet [Click Here](#)
- ▶ See Turnbuckle data sheet [Click Here](#)
- ▶ See Wire rope data sheet [Click Here](#)

SPECIFICATIONS:

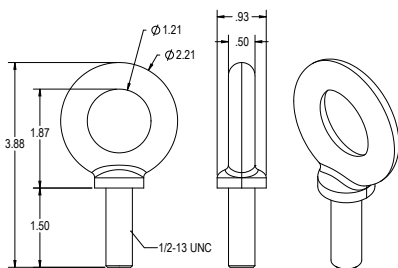
Material: Alloy Steel
Finish: Galvanized
Color: Silver
WLL: Working load meets or exceeds the strength of the selected strut when installed properly

PACKAGE CONTENTS:

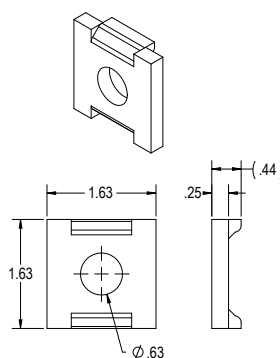
- 1 pc 1/2" Eyebolt
- 1 pc Locking Tab
- 1 pc Retainer Nut



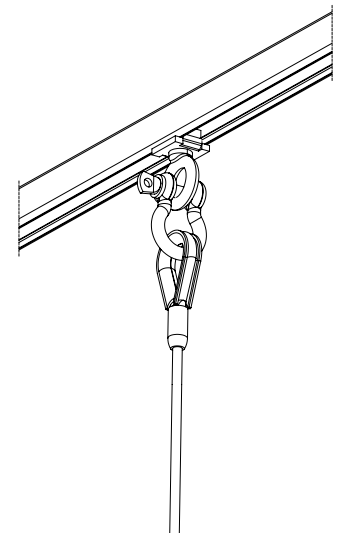
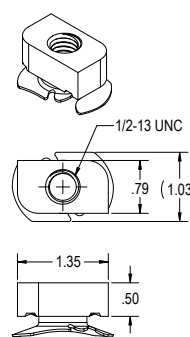
Eyebolt



Locking Tab



Retainer Nut



Suspend Objects From Wire Rope or Chain

ALWAYS INSTALL SAFETY CABLES

WARNING: Mounting and/or suspension of equipment requires experienced professionals. Improperly installed equipment can result in property damage, personal injury and/or liability to the installing contractor.