

Installation Guide

MM-060-V2

MULTIMOUNT™

The versatile MultiMount™ MM-060-V2 wall mounts loudspeakers weighing up to 60 lbs to walls using the standard four-hole mounting patterns located on the back panels (2.00" x 4.25", 2.75" X 5.00" and 100mm x 100mm). The MM-060-V2 simplifies and speeds up installation while offering a very versatile range of mounting and aiming options.

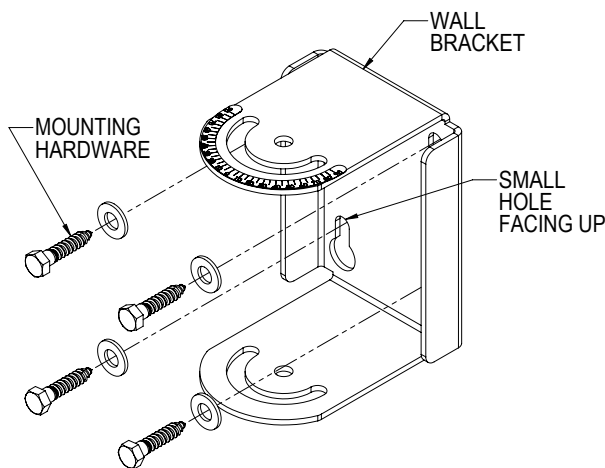


Figure 1

Contents:

Be sure that all of the following items are included in this kit before proceeding:

- 1 pc Wall bracket
- 1 pc Swivel and speaker bracket assy.
- 1 bag Hardware kit
- 1 pc Installation Guide

Hardware to attached speaker is not included.

Installation Procedure:

Step 1:

Install the wall bracket to the wall surface with the small hole of the keyhole slots facing up (Figure 1).

Consult your local hardware store for the correct hardware to use for the wall structure.

Step 2:

Install the swivel bracket and speaker adapter plate assy to the mounting holes of the speaker using the appropriate screws and flat washers. Tighten permanently.

Hardware to attach speaker to MM-060-V2 is not included (Figure 2).

Make sure that the "L" side of the speaker adapter plate is on the left side of the speaker (Figure 2).

Installation Guide

MM-060-V2

MULTIMOUNT™

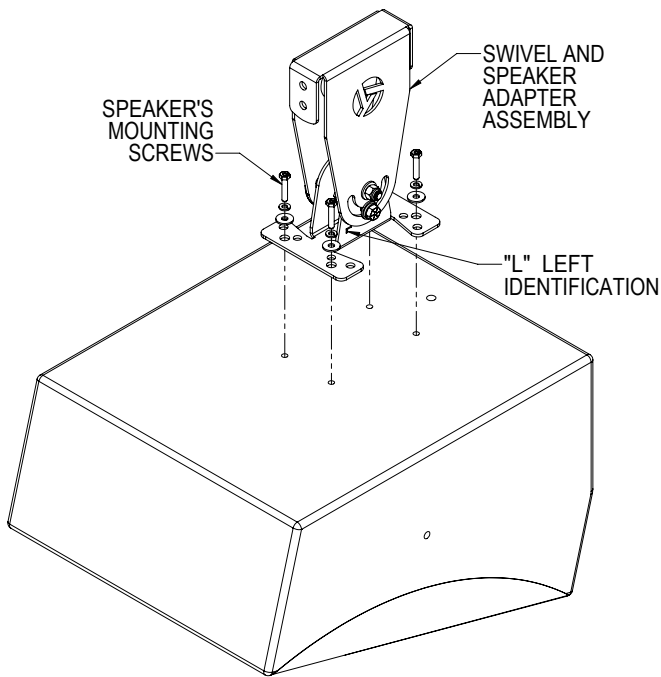


Figure 2

Step 3:

Lift the speaker up into the wall bracket. position the swivel bracket inside the wall bracket then align the first hole to the hole on the wall bracket. Insert the 3/8-16x7" long hex bolt with flat washer all the way thru both the swivel bracket and the wall bracket. Install the flat washer and 3/8-16 nyloc nut on the bottom end. Tighten nyloc nut until washer is flushed to the bottom surface of the wall bracket. Do not over tighten (Figure 3).

Step 4:

Install the top and bottom 3/8-16x1" long bolts , split washer and flat washer to the top and bottom slots of the wall bracket and into the swivel bracket's welded hex nut (Figure 3).

Step 5: Set-Up Pan Angle

Rotate swivel bracket to desired horizontal pan angle then tighten the top and bottom 3/8-16x1" long bolts permanently (Figure 4).

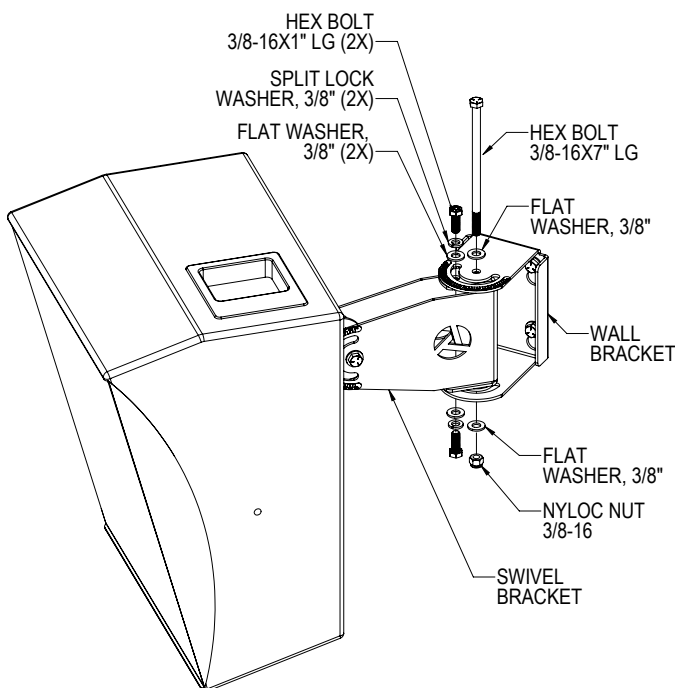


Figure 3

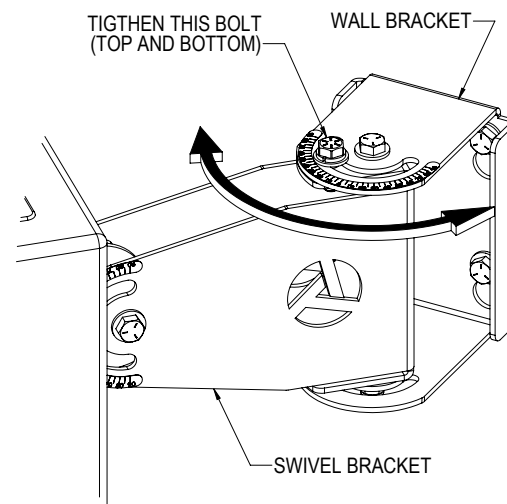


Figure 4

Installation Guide

MM-060-V2

MULTIMOUNT™

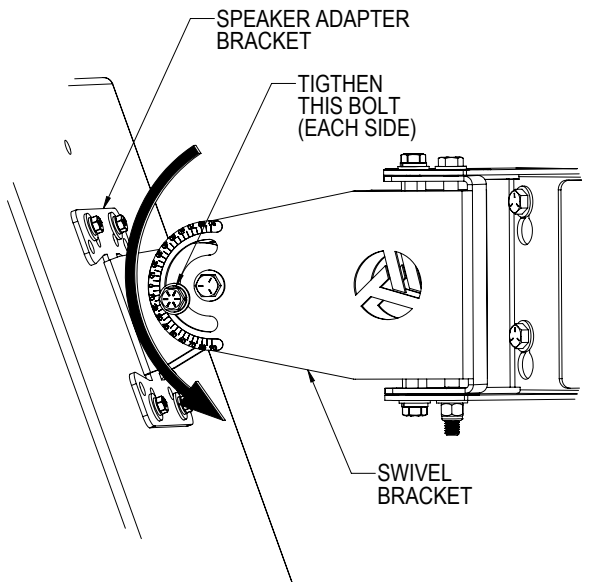


Figure 5

Step 6: Set-Up Tilt Angle

To change the speaker tilt angle, loosen the side bolts on the slots, tilt speaker to desire tilt angle then tighten back the side bolts permanently. Tighten the right side bolt clockwise and the left hand thread bolt on the left side counterclockwise (Figure 5).

Do not try to adjust the tilt angle without loosening the side bolts.

Step 7: Safety cable

Attach safety cable to the speaker and to the load rated wall struture.

Note to installers:

Due to the wide variety of wall structures, materials and mounting methods, the installing contractor must exercise proper judgment in selecting the mounting area and hardware.

As a guide, the installation, when complete should be capable of supporting 5 times the actual applied load. Always use a backup safety system such as a safety cable.

To assure a trouble-free installation, read through and follow these instructions carefully before beginning. If you have doubts about the integrity of the structure you are mounting to or you are not sure about the proper hardware to use, consult a structural and/or hardware specialist.