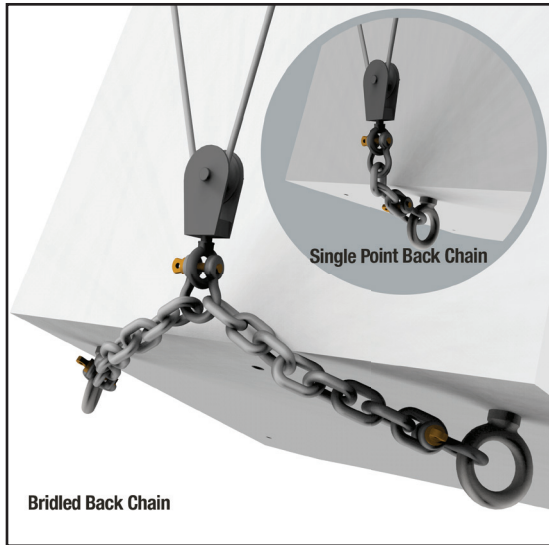


Installation Guide

Back Chain Series

Single Point & Bridled Pull Back Chains



Adaptive's back chain series helps to prevent kinking and interference with cable pulley systems used for tilting speakers.

Contents:

Be sure that all of the following items are included in this kit before proceeding:

- 1 pc Load rated chain
- 1 pcs Instruction Sheet

Installation Procedure for (Single Point Pull Back):

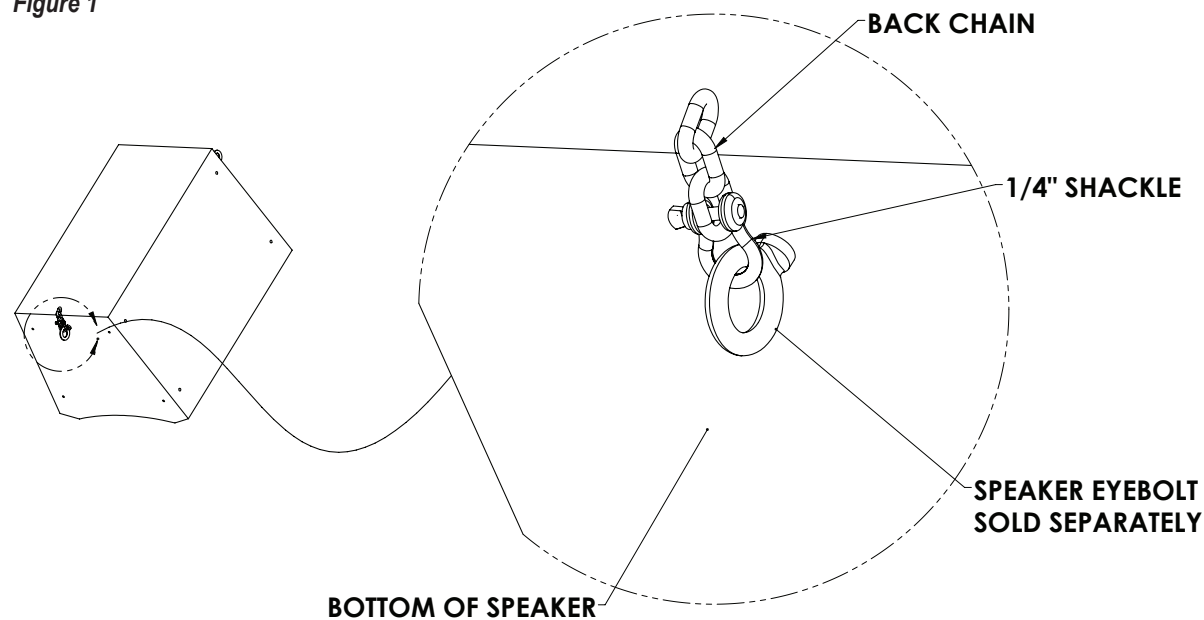
Step 1:

Install an eyebolt (sold separately) to the bottom rear of the speaker.

Step 2:

Attach the back chain to the eyebolt using the provided shackle (Figure 1).

Figure 1



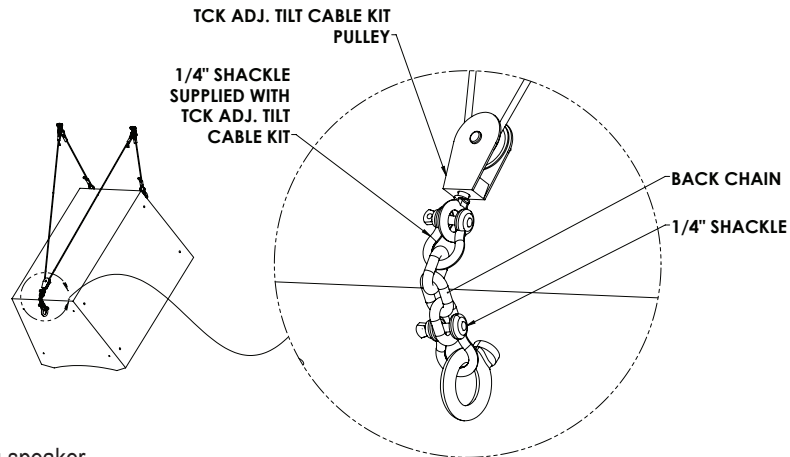
Installation Guide

Back Chain Series

Single Point & Bridled Pull Back

Step 3:

Attach the other end of the back chain to the main pull back cable or to the TCK adjustable tilt cable kits pulley using the provide shackle from the Adjustable Tilt Cable kit (Sold Separately) (Figure 1 or 2).



Step 4:

Check all connections before lifting speaker.

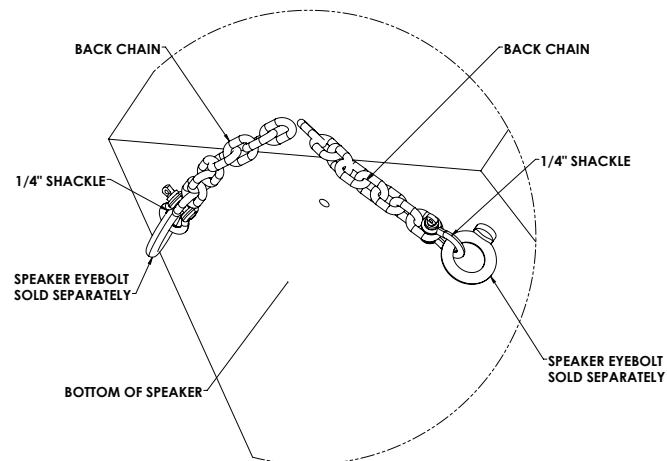
Installation Procedure for (Bridled Pull Back):

Step 1:

Install two eyebolts on the two rear bottom rigging points of the speaker.

Step 2:

Install the eyebolts on the two bottom rigging points of the speaker. Attach the back chain on both eyebolts using the provided shackle (Figure 3).



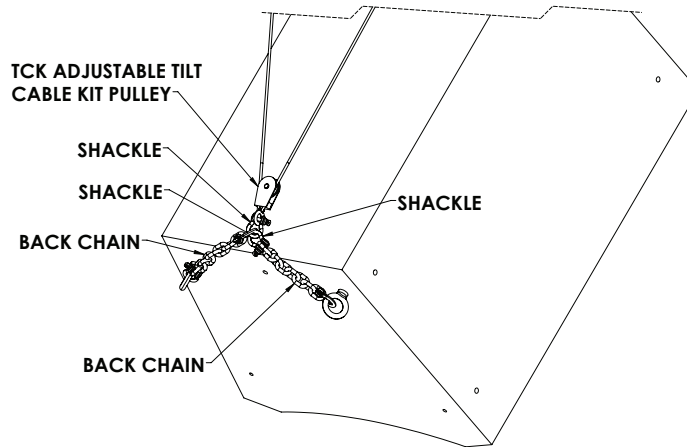
Installation Guide

Back Chain Series

Single Point & Bridled Pull Back

Step 3:

Bridle the two back chain toward the rear center of the speaker and attach to the pull back cable or the TCK adjustable tilt cable kits pulley (Figure 4).



Step 4:

Check all connections before lifting speaker.

Note to installers:

Due to the wide variety of wall structures, materials and mounting methods, the installing contractor must exercise proper judgment in selecting the mounting area and hardware.

As a guide, the installation, when complete should be capable of supporting 5 to 10 times the actual applied load. Always use a backup safety system such as a safety cable.

To assure a trouble-free installation, read through and follow these instructions carefully before beginning. If you have doubts about the integrity of the structure you are mounting to or you are not sure about the proper hardware to use, consult a structural and/or hardware specialist.