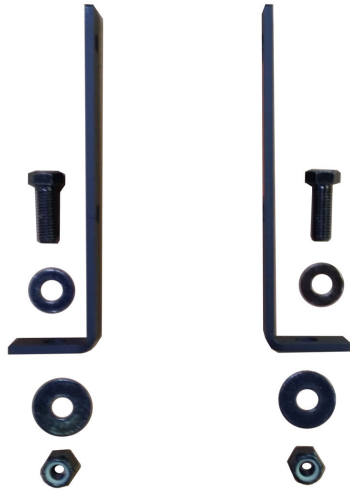


BC-LAM-KIT

(300 lb. WLL)

Laminated Wood Beam Clamp Adapter Kit

BeamWare™

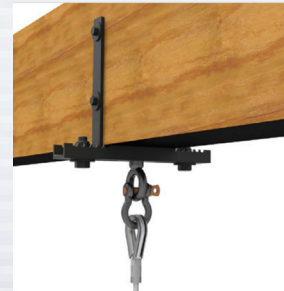


Beam Clamp Adapter Kit

The BC-LAM-KIT is an adapter bracket for the standard BC Series channel style beam clamps. With this adapter kit, the standard I-beam clamps can be attached to wood/laminated beams. When used with the BC3-8 it is adjustable from 1" wide to 6.75" wide wood beams, and with the BC7-12, it is adjustable from 5.25" to 11.25" wide wood beams.



With Swivel Beam



With Eyebolt



With Threaded Rod

STANDARD FEATURES:

- ▶ Mounts to Laminated Wood Beams
- ▶ Adapts to BC (Beam Clamp) Series
- ▶ Adapts to SBC (Swivel Beam Clamp) Series

OPTIONAL ACCESSORIES:

- ▶ Beam Clamps
- ▶ Swivel Beam Clamps

SPECIFICATIONS:

Material: Structural Steel

Finish: Powder Coat

Color: Black

WLL: 300 lbs

Design Factor: 5:1

Pack Count: 1

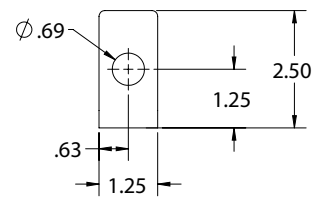
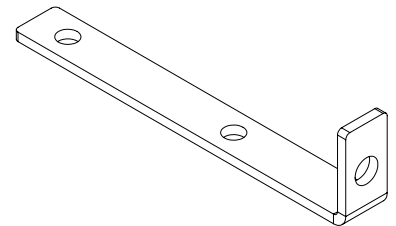
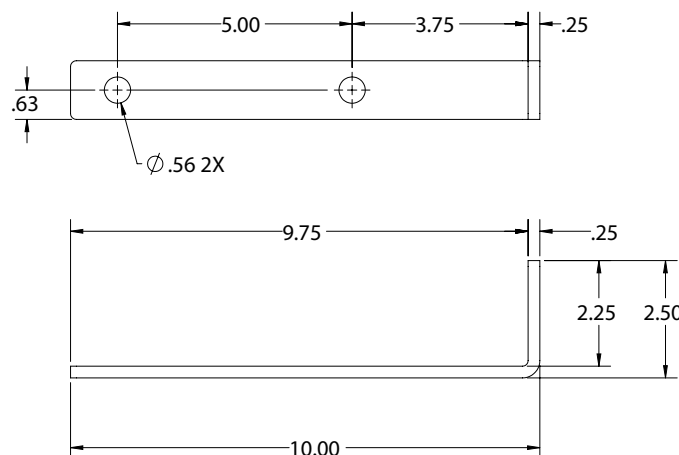
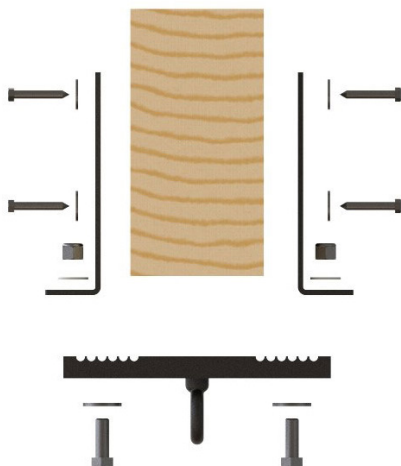
*WLL = Working Load Limit

PACKAGE CONTENTS:

2 pcs L-Bracket

1 pc Hardware Kit

BC-LAM-KIT Dimensions



Side View

Front View

Adaptive Technologies Group
 1635 E. Burnett Street | Signal Hill, CA 90755 USA
 Ph: 562.424.1100 | Fax: 562.424.3520
 www.adaptivetechgroup.com



ADAPTIVE
 TECHNOLOGIES GROUP

ALWAYS INSTALL SAFETY CABLES

WARNING: Mounting and/or suspension of audio and video equipment requires experienced professionals. Improperly installed loudspeakers can result in property damage, personal injury and/or liability to the installing contractor.

