

# CC-096-S

# (220 lb. WLL)

## STEEL BAND ROUND SLINGS

## SPAN SET



The Steerables™ Pull back and coupler cable kit serves as a pullback and coupling device for flyable loudspeakers and can be used in a wide range of rigging applications. It provides an easy and infinitely adjustable feature up to 96" for loudspeakers and other objects weighing up to 220 lbs/134 kg.



CC-096 Rigged Speaker

### STANDARD FEATURES:

- ▶ Provides load rated and lockable tilt functionality to suspended items such as loud speakers.

### OPTIONAL ACCESSORIES:

- ▶ Eyebolts

### SPECIFICATIONS:

**Materials:** Stainless Steel

**Finish:** Black Oxide

**Color:** Silver

**WLL:** 220 lbs

**Design Factor:** 5:1

**Pack Count:** 1

### PACKAGE CONTENTS:

**1 pcs:** Pullback cable assembly

**2 pcs:** 3/8" Quick Link

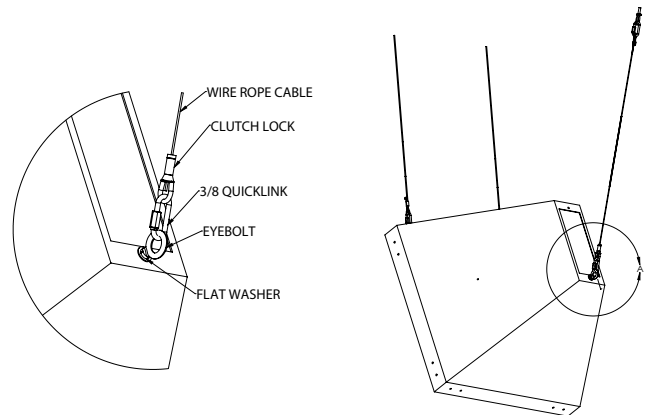
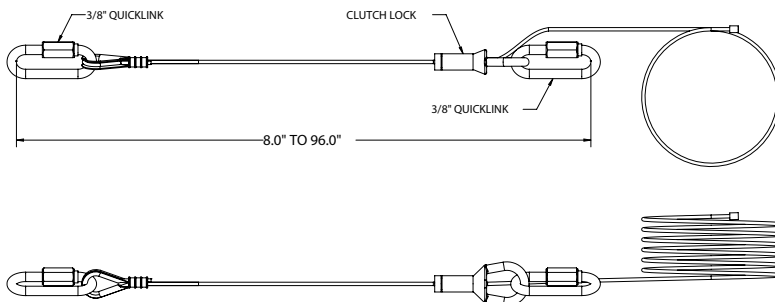
**1 pc:** Thread Lock .5 ml

\*WLL = Working Load Limit



Rated for marine environment.

### CC-096 Diagram



**Adaptive Technologies Group**  
1635 E. Burnett Street | Signal Hill, CA 90755 USA  
Ph: 562.424.1100 | Fax: 562.424.3520  
www.adaptivetechgroup.com



### ALWAYS INSTALL SAFETY CABLES

**WARNING:** Mounting and/or suspension of audio and video equipment requires experienced professionals. Improperly installed loudspeakers can result in property damage, personal injury and/or liability to the installing contractor.