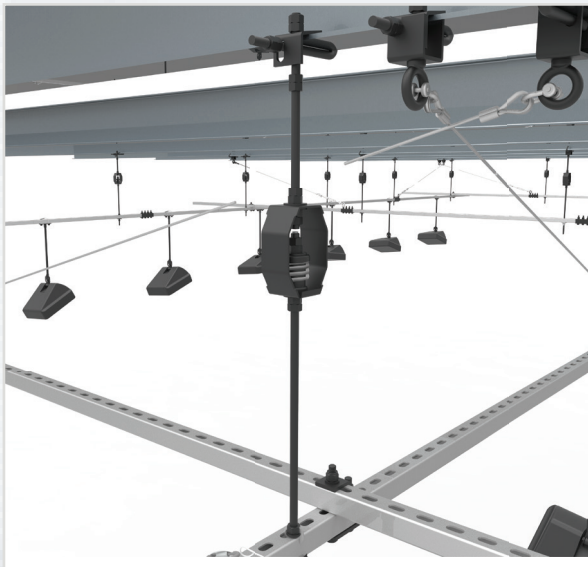


# CG-SH-1-245-H

(175 lb. WLL)

CHANNEL STRUT SOUND ISOLATION BRACKET

STRUT ATTACHMENT



SH Vibration Isolation Hangers are designed to reduce the transmission of vibration and noise produced by suspended equipment and piping. SH Hangers incorporate a high deflection color-coded spring element, a “no short” spring cap, and noise isolation pad, assembled into a stamped or welded hanger bracket.



CG-SH-1-245-H

## STANDARD FEATURES:

- ▶ Reduce transmission of vibration through structure
- ▶
- ▶

## OPTIONAL ACCESSORIES:

- ▶ See Threaded Rod Datasheet for different lengths
- ▶
- ▶

## SPECIFICATIONS:

**Materials:** Structural Steel  
**Finish:** Powder Coat Black  
**Color:** Black  
**WLL:** 175 lbs / 79.3 kg  
**Design Factor:** 7:1

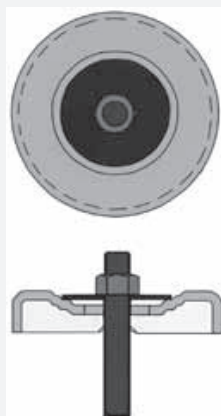
## PACKAGE CONTENTS:

**1 pcs:** Isolation Hanger  
**1 pcs:** All Threaded Rod  
**1 bag:** Hardware Kit

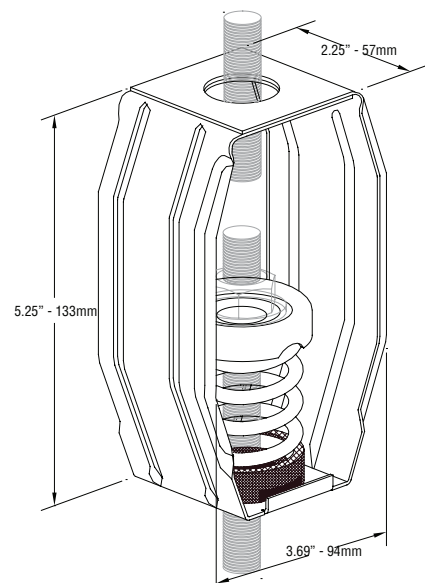
\*WLL = Working Load Limit

## How the self-centering no short cap works:

Indexed steps in spring cap correspond to standard washer diameters for the appropriate rod diameter. The washer and rod stay centered in the cap. Featured on the 1" and 2" SH Hangers only.



## CG-SH-1-245 Dimensions



Rated for indoor use.

**Adaptive Technologies Group**  
1635 E. Burnett Street | Signal Hill, CA 90755 USA  
Ph: 562.424.1100 | Fax: 562.424.3520  
www.adapttechgroup.com



### ALWAYS INSTALL SAFETY CABLES

**WARNING:** Mounting and/or suspension of audio and video equipment requires experienced professionals. Improperly installed loudspeakers can result in property damage, personal injury and/or liability to the installing contractor.