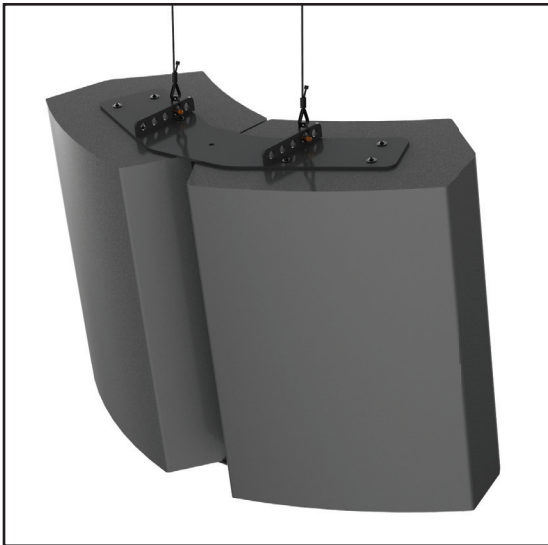


Installation Guide

FP-SX500-2X1

ELECTRO-VOICE CLUSTER PACK PLANAR ARRAY KIT



The FP-SX500-2X1 planar array kit gives designers, contractors and audio consultants the ability to join two Electro-Voice SX500+ Series speakers in a tight pack configurations

Contents:

Be sure that all of the following items are included in this kit before proceeding:

- 2pcs** Suspension Joiner Plates
- 8pcs** Button head screw, M8X32mm
- 8pcs** Flat washer, M8

Installing speakers must be performed by experienced professionals. If in doubt about the integrity of the structure you are mounting or suspending to or not sure about the proper hardware or method to use, consult a certified rigging company.

Installation Procedure:

Step 1: Remove and discard the screws from the top and bottom of the speaker that will be used for attaching the joiner plate.

Step 2: Flip the speakers so the bottom is facing up. Position speakers side by side to a tight-pack position (Figure 1.)

Attach a suspension/joiner plate to the bottom side of the speakers using supplied M8" screws and flat washers (Figure 1). Do not permanently tighten until all plates are installed.

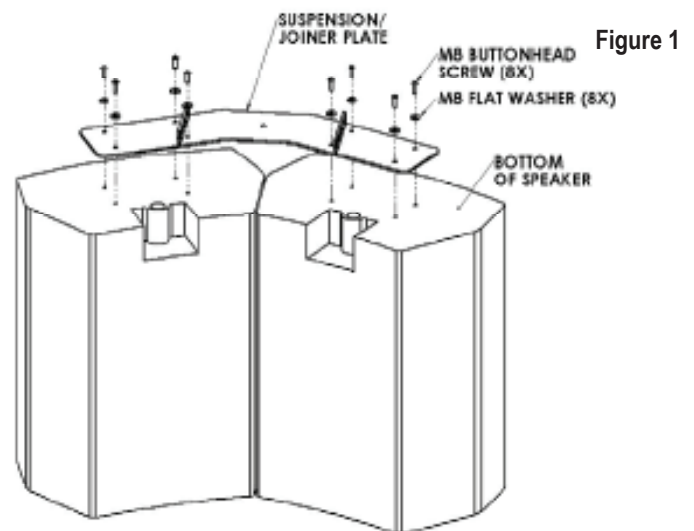
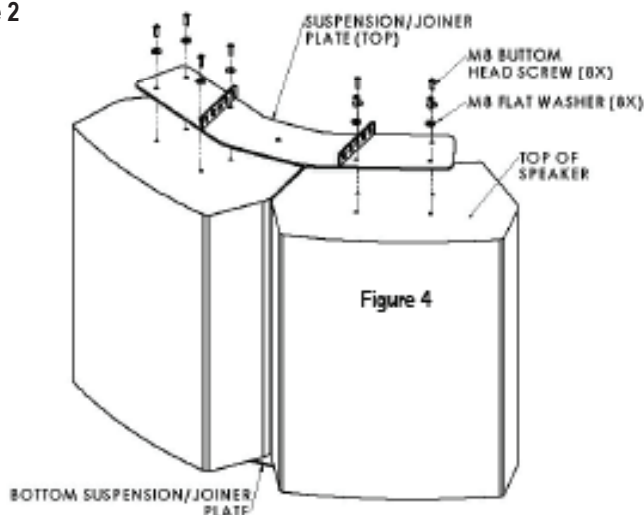


Figure 2



Step 3: Slowly flip the speakers so the top is facing up. Attach the other suspension/joiner plate to the top using the supplied M8 button head screws and flat washer through the joiner plate's holes and into the holes of the speaker. Use the same holes as on the bottom plate (Figure 2.)

Installation Guide

FP-SX500-2X1

ELECTRO-VOICE CLUSTER PACK PLANAR ARRAY KIT

Step 4 Optional: Attached shackles on the rear holes of the bottom suspension/joiner plate's bars. Bridle a rigging chain or cable from the shackle to a single point at the back for a single pull back point (Figure 3.).

Step 5: Use the suspension bars on top of the speaker cluster as the primary suspension points. Different hole attachments provide different tilt angle for the speaker cluster (Figure 4).

Step 6: Tighten all bolts permanently.

Step 7: Check all hardware connections before hoisting cluster.

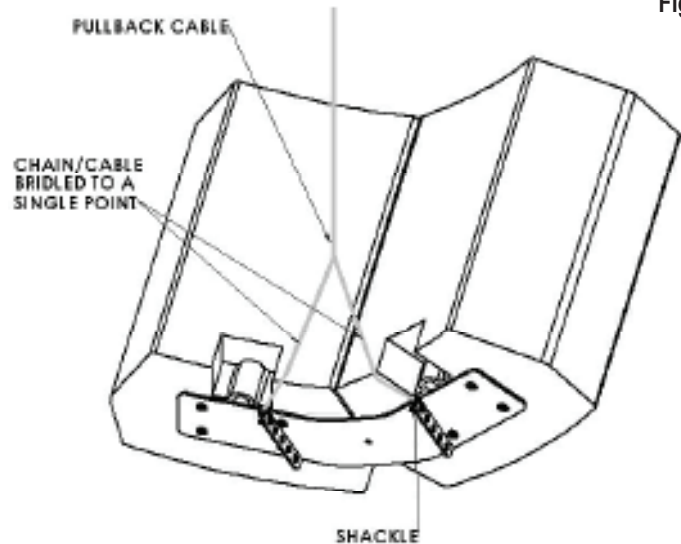


Figure 3

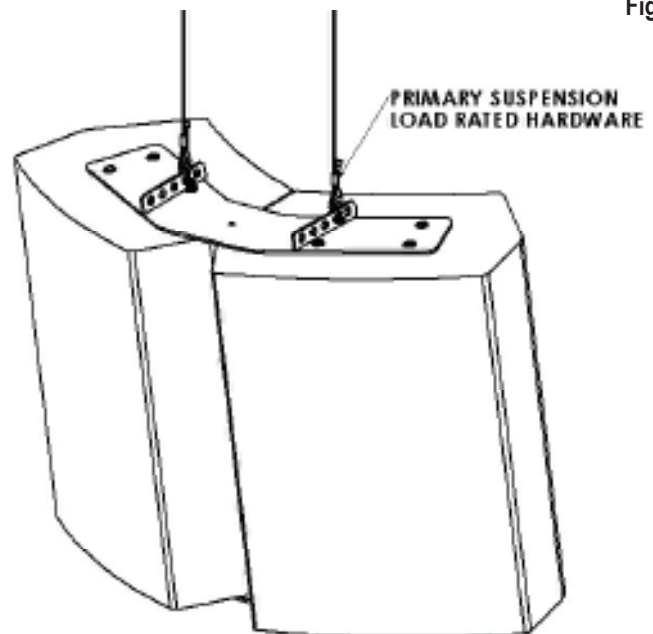


Figure 4