

# LTMB24-X4-RK

## LT MB24 4 Wide Rigging Kit Grid

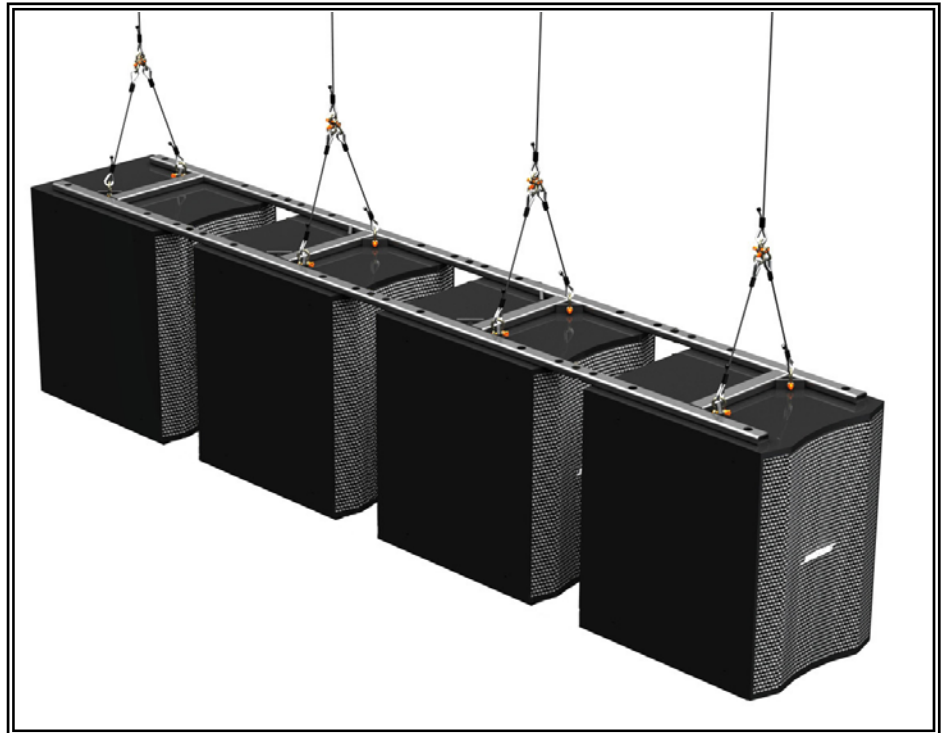
### Installation Instructions

Thank you for choosing the LTMB24-X4-RK Grid. This grid suspends 4 BOSE LT MB24-III speakers in 4 sequential arrangements.

**Important:** Rigging overhead system requires professional experience. *Improperly installed equipment can result in property damage, personal injury, death and/or liability to the installing contractor.* Do not suspend if in doubt about the integrity of the structure.

**Caution:** Due to the wide variety of structures, environments, materials and rigging methods, the installing contractor should exercise good judgment in selecting the proper mounting area and hardware.

*Follow these instructions for the most efficient and safest rigging results. Do not exceed the working load limit of 1200 lbs/545 Kg.*



#### Package Contents:

- 1 pcs. LTMB24-X4-RK GRID
- 1 pc. Instruction sheet, 8.5X11
- 16 pcs Hex Cap, 3/8-16x1.5,G8, blk
- 16 pcs Split washer, 3/8, G8, blk
- 16 pcs Flat washer, 3/8", SAE

#### Step 1:

Check to make sure the holes of the grid matches the holes on top and bottom of the speaker. Remove and discard speaker screws where the grid will be attached

#### Step 2:

Set three speakers on the clean or padded floor with the front facing the same direction. Lay the grid over the top of the speakers and match the holes to the holes on the speaker. Attach grid to speakers using the supplied 3/8 hex bolt, washer and split washers. Tighten bolts permanently (Figure 1).

#### Step 3:

Attach load rated suspension cables to the suspension bracket on the four corners of the grid using load rated hardware such as shackles (Figure 2). One can use eight cable suspension points or eight points bridled to a four point suspension (Figure 2).

#### Step 4:

Check all connections before suspending the speaker cluster.

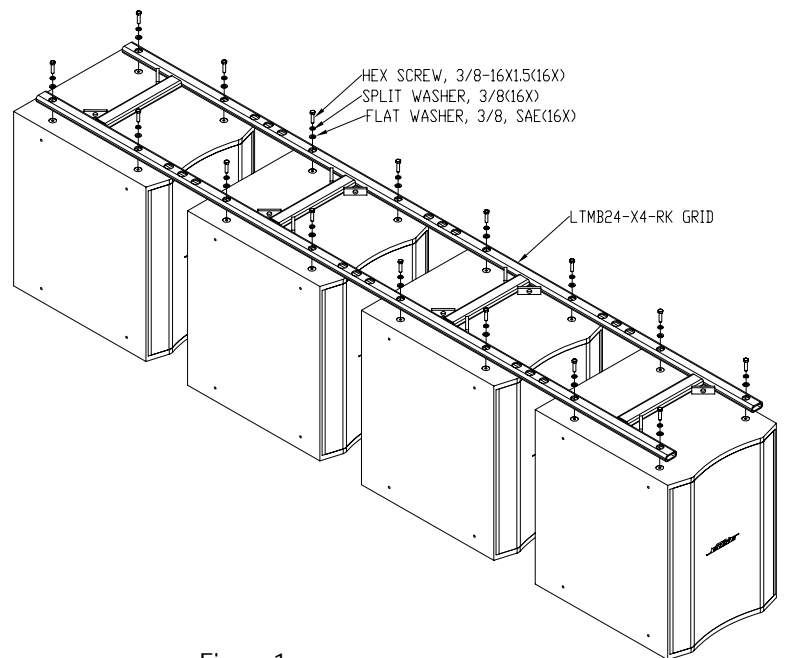


Figure 1

**Step 5: Connecting the 2<sup>nd</sup> Tier of LTMB24 loudspeaker**  
 Repeat step 1 and 2 for the 2<sup>nd</sup> tier of speaker (Figure 1)

**Step 6:**

Lift up the first tier of LTMB24 loudspeakers and place it on top of the second tier of loudspeakers. Align the frames so that the top and bottom frame's center 1/2" dia. holes match up.

**Step 7: Install LTMB24-ROD-KT (sold separately)**

Securely join the top and bottom tier by bolting the frames together using a 1/2" threaded rod, flat washers and jam nuts (*LTMB24-ROD-KT sold separately-Two kit required*). Insert the threaded rod from the hole of the top frame and into the bottom frame. Use the center holes on the outer ends of the frame and use the four corner holes on the center of the frame. Apply lock-tite liquid solution on the nuts then secure both ends of the threaded rods with flat washer and two jam nuts (two jam nuts per end). Tighten nuts permanently until frame and loudspeakers are tightly secured (Figure 3 and 4).

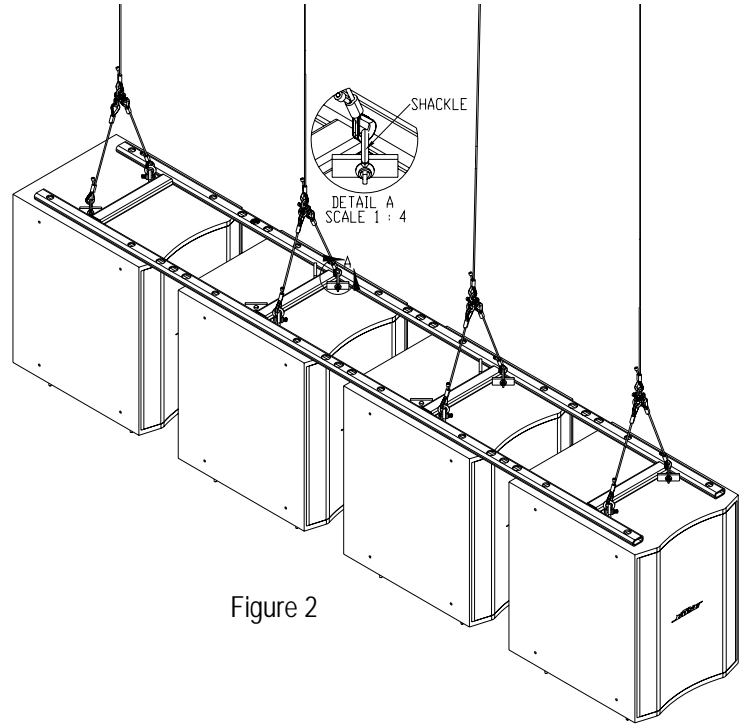


Figure 2

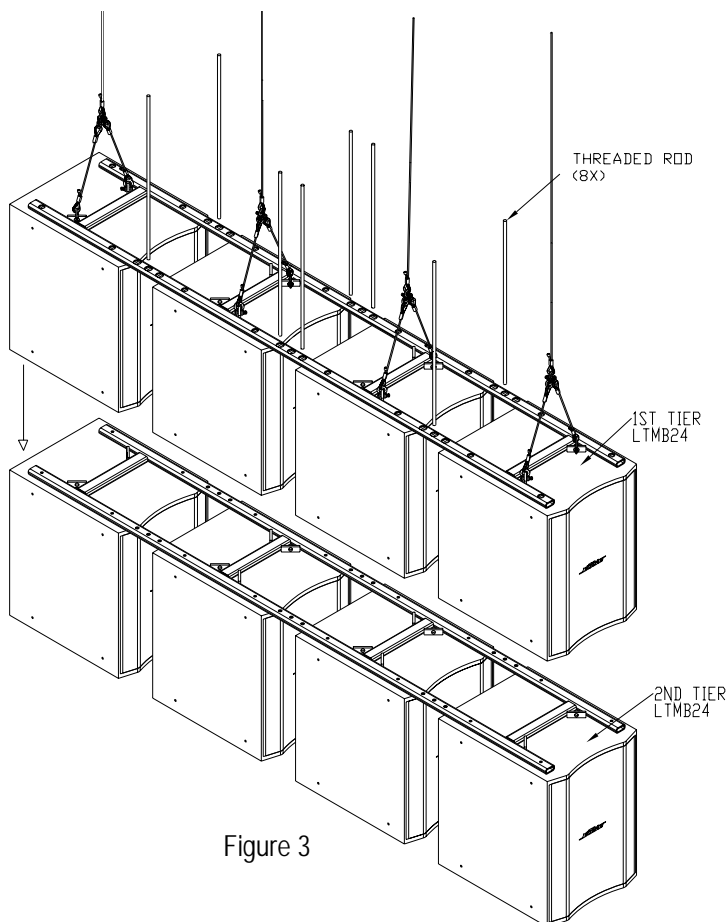


Figure 3

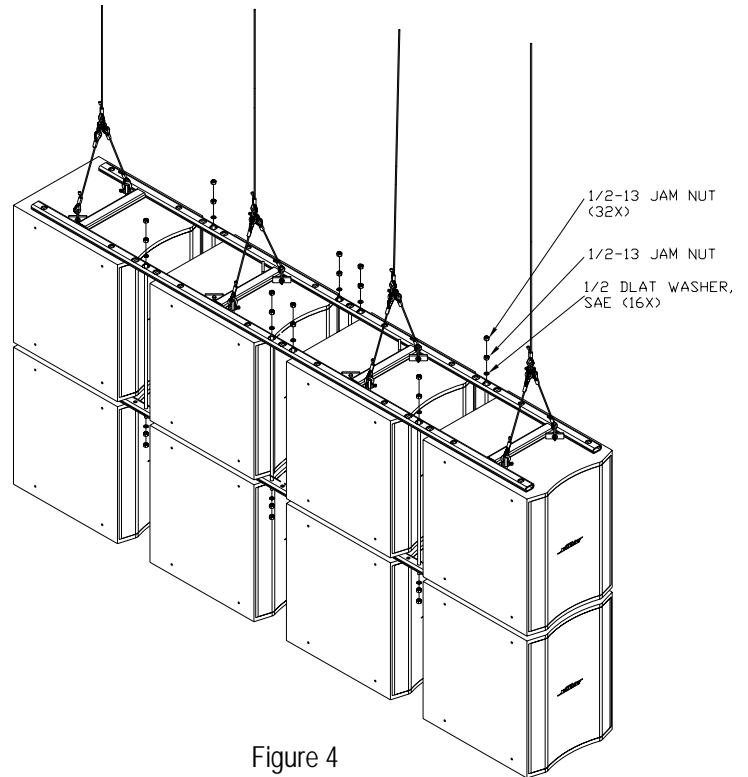


Figure 4