

MM-90X90-AP

90X90MM, 100X100MM & 65X65MM Hole Pattern Adapter Plate For MM-022 and MM-024 Installation Instructions

The MM-90x90-AP adapter kit is used to adapt the MM-022 and MM-024 to speakers with 90mmx90mm, 100mmx100mm and 65mmx65mm speaker mounting holes.

Warning:

Mounting and/or rigging loudspeakers requires experienced professionals. **Improperly installed loudspeakers can result in property damage, personal injury, death and/or liability to the installing contractor.**

To assure a trouble free installation, read through and follow these instructions carefully before beginning. If you have doubts about the integrity of the structure you are mounting to or you are not sure about the proper hardware to use, consult a structural and/or hardware specialist.

Be sure that all of the following items are included in this kit before proceeding:

Qty	Description
1 pc.	Speaker adapter plate
4 pcs.	Flat washer, 1/4" USS
4 pcs.	Flat washer, M8
4 pcs.	Flat washer, M10

Note to installing contractor:

Due to the wide variety of wall structures, materials and mounting methods, these instructions assume that the installing contractor will exercise proper judgment in selecting the mounting area and hardware.

As a guide, the installation, when complete should be capable of supporting 5 to 10 times the actual applied load. It is highly recommended to use a back-up safety system such as a safety cable.

Step 1:

Remove the existing MM-022-BT or the MM-024-BT's Speaker adapter plate from the support arm by loosening the 3/4 bolts on the sides (one is right hand and the other is a left hand thread)(Figure 1).

Step 2:

Attach the MM-90x90-AP to the support arm pivot rod. Make sure the star-washers are in between the support arm pivot rod and the speaker adapter plate. Use the Left hand threaded bolts on the side of the pivot rod with the groove. The right had thread on the side without the groove. Do not fully tighten (Figure 2).

Step 3:

Attach the speaker adapter plate to the speaker's mounting holes. Use the provided flat washers for different sizes of mounting screws.

Step 4:

Refer to MM-022-BT and MM-024-BT Installation guide.

Step 5: Recommendation: Install Safety Cable

Attach a safety cable (sold separately) to a structurally mounting surface (**Must be able to support at least five times the weight of the speaker**), then attach the other end of the safety cable to the speaker. If no attachment is provided on speaker, consult speaker manufacturer for advice on best attachment point and method.

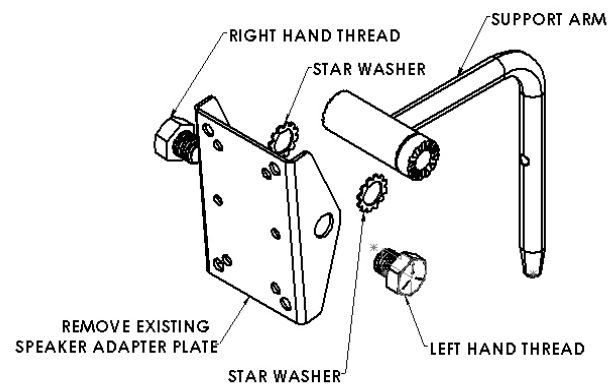


Figure 1

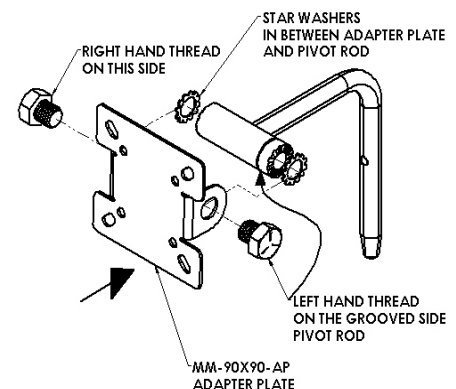


Figure 2