

# PL-2500-SL

8 FT TRAVEL PROJECTOR SCISSOR LIFT

Pro-Lift™

## FEATURES:

- Quiet Running
- Dual Electric Winch System
- Remote Wall Switch Actuator
- Repeatable Stop Returns
- Controlled Up/Down Speed
- Three Adjustable Stop Sensors
- Overhead Interface Frame
- Dual Fall Protection
- Projector Wire Management

## OPTIONAL ACCESSORIES:

- Standard and Networkable Controllers
- Optional X-Y Projector Interface Kit
- P-BOX-15 Projector Enclosure

## SPECIFICATIONS:

### MECHANICAL:

Over 8ft of Vertical Travel

Working Load: 500lb / 227kg

### DIMENSIONS:

52 in W x 53 in L x 14.5 in H

Weight: 385 lb / 175 Kg

### ELECTRICAL:

230V 60 Hz

Single Phase 16A with ground wire.

### POWER CONSUMPTION:

1KW at 50 Hz.



Rated for indoor use.

## Overview

Shown with XY Interface

Select Adaptive's Pro-Lift Scissor Lift System to view and stow large format DCI digital projectors from above screening rooms, auditoriums, theaters, etc. Pro-Lift Scissor Lifts are professionally engineered, easy to install, computer controlled and built to UL standards.

Pro-Lift Scissor Lifts come in three frame and chassis sections and are easy to install. The Top Frame anchors up and into a facility in a wide variety of ways. The Lift's chassis then bolts directly to the Top Frame. Multiple adjustable contact switches are set on-site and provide desired high and low projector positions. It's strong electrically powered system then safely lowers the projector, enclosure and other gear weighing up to 500 lb from between 8 and 24 feet overhead, depending on the selected model.

This Lift system comes with a choice of on-board controllers, including the basic self-contained DEC controller and the DEC Plus, which is a network-able device. The Basic DEC self-contained Main Controller is a contact-switch activated device that uses a push-button controller to select up to three elevations, including show, stow and maintenance positions. The DEC Plus network-able Main Controller uses Modbus, a common automation logic, to program multiple elevation positions, communicates with third party show controllers and comes with a separate push button controller. Projectors are installed directly to the scissor assembly via the optional universal-fit XY Interface or enclosed in the optional P-Box-15 Sound Enclosure.



Shown with Sound Enclosure

**Adaptive Technologies Group**  
1635 E. Burnett Street | Signal Hill, CA 90755 USA  
Ph: 562.424.1100 | Fax: 562.424.3520  
www.adaptivetechologiesgroup.com

### ALWAYS INSTALL SAFETY CABLES

**WARNING:** Mounting and/or suspension of audio and video equipment requires experienced professionals. Improperly installed loudspeakers can result in property damage, personal injury and/or liability to the installing contractor.



**ADAPTIVE**  
TECHNOLOGIES GROUP

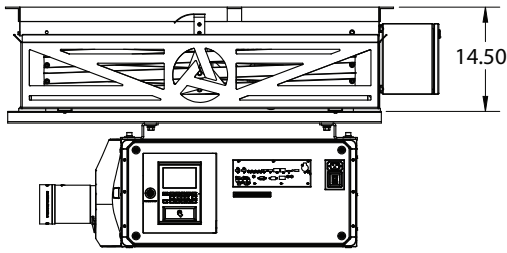
by **P**royecson™

# PL-2500-SL

SCISSOR LIFT FOR OVERHEAD PROJECTORS

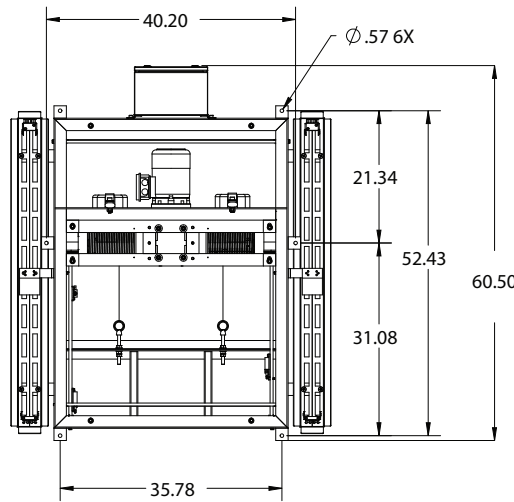
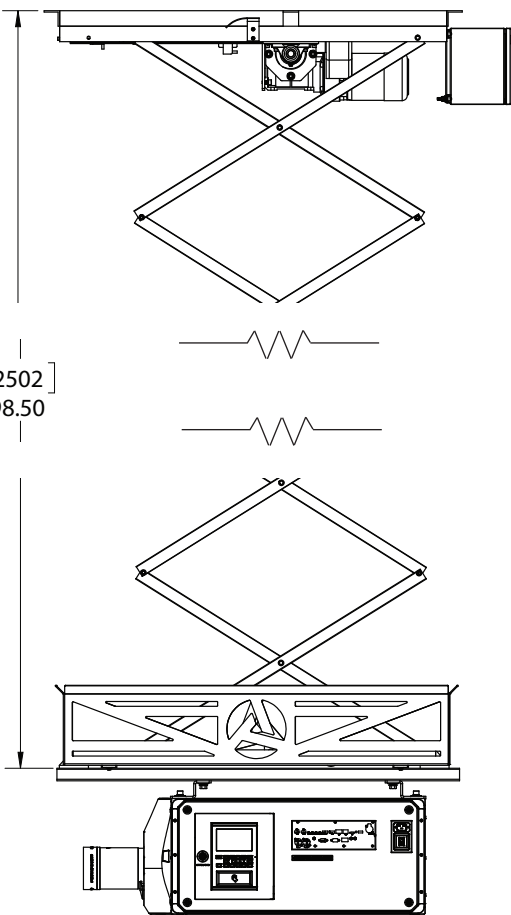
Pro-Lift™

## Retracted Position



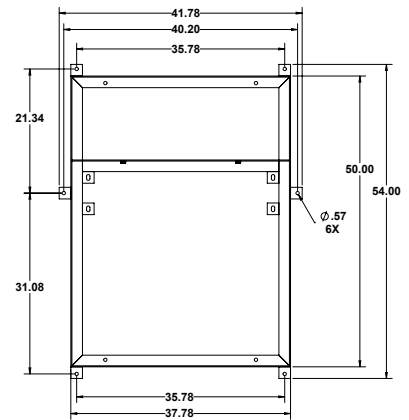
Side View

## Extended Position

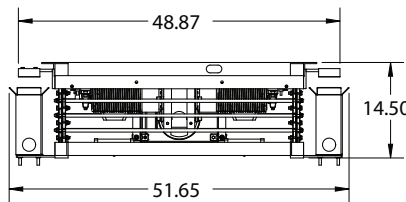
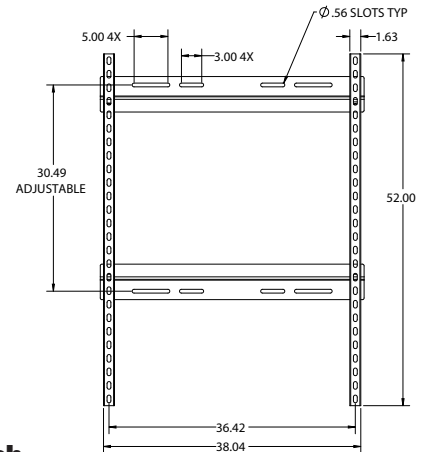


Top View

## Docking Frame Top View

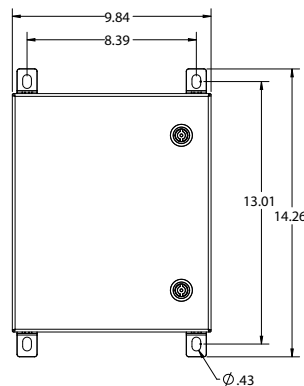


## X-Y Interface Kit

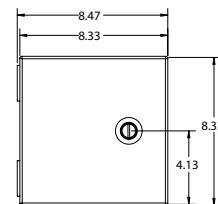


Back View

## Control Panel Front View



## Wall Switch Front View



## Mounting the Pro-Lift Scissor Lift:

The installation of the Pro-Lift-Scissor Lift must be reviewed by a building engineer, installed professionally and supervised by an operator. The facility's structure must support a minimum of 1100 lb/500 Kg, which includes the Lift, up to 350 lb/160 Kg of projectors and equipment and up to 216 lb/98 Kg for a sound enclosure.

The Scissor lift comes with a six-point top mounting frame that secures to the overhead structure. The Lift's chassis mounts under the top frame. The scissor assembly and lower frame attaches to projector by way of the universal XY Interface adapter bracket or directly to a sound enclosure.

A choice of controllers including the basic DEC that offers up to three stopping position and the DEC Plus, which is network able with 3rd party show controllers. The selected controller comes mounted to the scissor lift chassis and can be relocated up to 6ft away to a more convenient service location. The remote Up / Down switch comes with a lockable wall mountable enclosure and 30 foot cable extension and connectors.