

### Polestar™ 2" to 6" Pole Mount with 24" Long Arm



The PoleStar™ PM-24-6DOWN-G all-weather, galvanized steel pole mount is designed to mount loudspeakers and other equipment from vertical surfaces and columns. The PoleStar™ PM-24-6DOWN-G accommodates many standard mounts for a wide variety of mounting solutions, including, yokes and U-Brackets.

The universal strap kit provides a banding system to attach the PM-24-6DOWN-G Pole Mount to vertical poles or columns from 2" up to 6" diameter.

#### Note to installers

Due to the wide variety of wall structures, materials and mounting methods, these instructions assume that the installing contractor will exercise proper judgment in selecting the mounting area and hardware.

As a guide, the installation, when complete should be capable of supporting 5 to 10 times the actual applied load. Always use a back up safety system such as a safety cable.

To assure a trouble free installation, read through and follow these instructions carefully before beginning. If you have doubts about the integrity of the structure you are mounting to or you are not sure about the proper hardware to use, consult a structural and/or hardware specialist.

Follow these instructions for the most efficient and safest mounting results.

- |  |  |
|--|--|
| 1 pc Pole Mount, 6DOWN" w/ 24" arm     | 1 pc ½-13 x 3.5" Long hex bolt           |
| 1 pc ½-13 x 4.5" Long hex bolt         | 1 pc ½-13 Nylock nut                     |
| 1 pc ½ Split lock washer               | 2 pcs ½ Flat washer                      |
| 2 pcs 20" Long 1/2" wide banding strap | 2 pcs Scru seal housing<br>and rack assy |
| 1 pc Friction gasket                   | 1 pc Loctite #262                        |
| 1 pc Instruction sheet                 |  |

Do not use pneumatic tool to tighten bolts.

Use loctite to permanently secure nuts to bolts and prevent loosening overtime.

Bolt torque: 35-40 foot pounds.

#### Install Banding Strap Kit

Step 1: Insert one end of the strap into the rectangular slot of the housing then fold at least two inch long or longer (a longer fold creates a more effective lock) then flatten band using thumb to form a hook. The folded end should be on the opposite side of the housing's screw head (Figure 1).

Step 2: Insert the end of the rack into the housing and rotate screw head clockwise using a screw driver until 3/4" of the rack comes out on the other end of the housing (Figure 2).

**MAKE SURE THAT THE WORD "THIS SIDE UP" WRITTEN ON THE RACK IS FACING OUT.**

Step 3: Insert the other end of the band through the slots of the PM-MOUNT-6DOWN-G

Step 4: Measure, mark and cut the band at least one inch beyond the first serration of the rack, then bend at least a one inch hook toward underside of band (Figure 4 & 5).

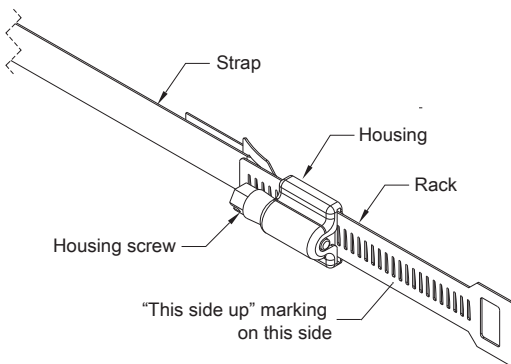


Figure 1

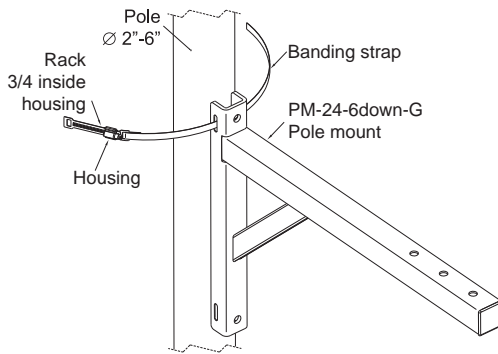


Figure 2

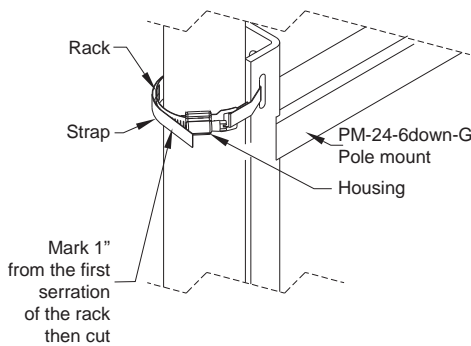


Figure 3

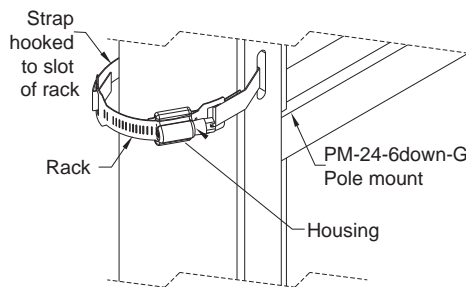


Figure 4

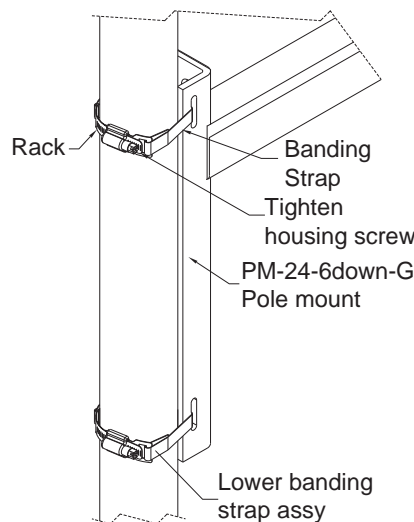


Figure 5

Step 5: Insert the hook into the rectangular slot of the rack, if necessary loosen the rack from the housing. Flatten band with thumb to form a clamp (Figure 4).

Step 6: Position the location of the PM-MOUNT-6DOWN-G on the pole and then tighten screw using screw or wrench to desired tension and complete the banding operation (Figure 5).

Step 7: Repeat steps 1 to 6 for the lower banding strap assembly.

Install Speaker Mount:

Step 8: Attach a Speaker Mount to the Arm

Attach the selected mount's center hole to the selected extension arm's hole using the included 1/2-13 x 3.5" or 4.5" long hex bolt, split lock washer, fender washer, friction washer, and Nyloc nut. Length of bolts to use depends on the type of mounts being installed. Make sure the friction washer is placed in between the arm and the mount (Figure 6). Rotate mounts/speaker assembly to desired angle then tighten bolts permanently.

Notes: Holes on extension arm are 24", 21" and 18" from pole adapter.

Step 9: Install and Aim Speaker(s)

Following the instructions of the mount, install and aim loudspeaker then tighten hardware and angles permanently.

Step 10: Install End Caps

After installation, cover the end of the arm with the provided 2 x 2 end cap. Trim end caps if necessary to clear bolts head and washers.

Step 11: Install Safety Cable

Secure a safety cable to the pole or column and then attach the other end of the safety cable to the speaker to bypass the mounting system.

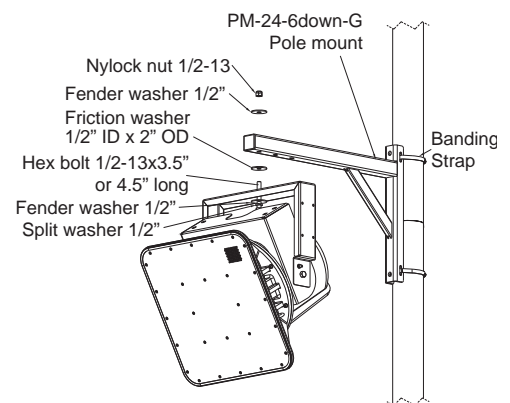


Figure 6