

# Installation Guide

## SBC3-8-CA-20

### Swivel Beam Clamp



The SBC3-8-CA-20 is a load rated overhead swivel beam clamp with a 20" cross arm for mounting and suspending speakers. It is used to mount speakers with the AJ-1524 adjustable U-Bracket, stand yoke mounts or as a suspension arm when eyebolts are installed. The cross arm provides a rotation of 360° horizontally.

#### Contents:

Be sure that all of the following items are included in this kit before proceeding:

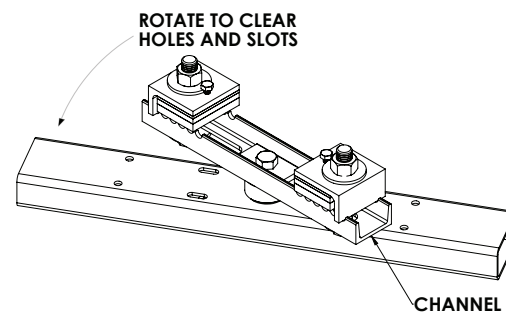
- 1 pc. SBC3-8-CA-20 Beam Clamp w/ 20" Swivel Arm
- 1 kit Hardware kit
- 1 pc. Instruction sheet

Figure 1

#### Installation

##### Step 1:

Rotate the cross arm to the desired angle to have access to the slot of the cross arm (Figure 1, 2).

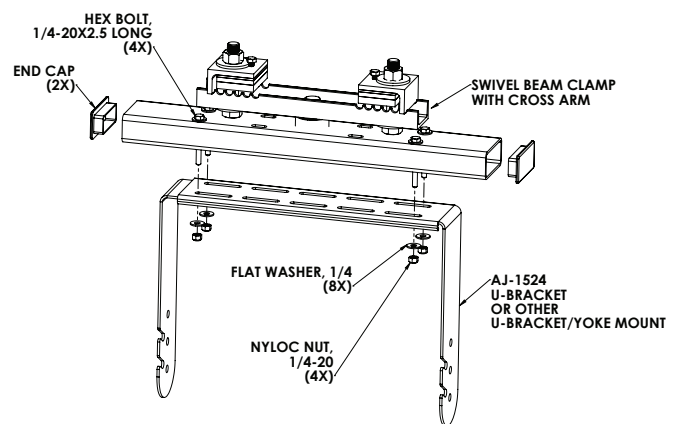


#### FOR MOUNTING SPEAKERS

##### Step 2:

Attach the AJ-1524 adjustable u-bracket to the cross arm using the two 1/4-20X1 hex screws, nuts and washer on the four outer holes of the cross arm. On the 15" wide or near 15" speaker use only the four through holes on the cross arm (Figure 2). Make sure to place the spacer clip in between the inner bracket and the cross arm. Do not permanently tighten. Adjust the AJ-1524 to the size of the speaker, add at least 1/2" gap for the gaskets. Capture the overlap of the AJ-1524 inner and outer bracket using two or four 1/4-20X2.5 hex bolts, nuts and washers on the slots of the cross arm (Figure 3). Tighten all bolts permanently.

Figure 2



#### ALWAYS INSTALL SAFETY CABLES

**WARNING:** Mounting and/or suspension of audio and video equipment requires experienced professionals. Improperly installed loudspeakers can result in property damage, personal injury and/or liability to the installing contractor.

# Installation Guide

## SBC3-8-CA-20

### Swivel Beam Clamp

#### Step 3:

Attached the swivel beam assembly to the attachment I-beam. Adjust the Locking plate so that the bolts of the locking plates are a close or touching to the sides of the I-beam. Make sure that the locking plate is also secure and resting on the grooves of the channel. Make sure the beam clamps channel is centered to the attachment I-beam. Clamp the locking plates tightly to the beam both vertically and horizontally with the 5/8" bolts, washers and nuts. Add loctite thread compound to the threads of the bolts over the nut (Figure 4).

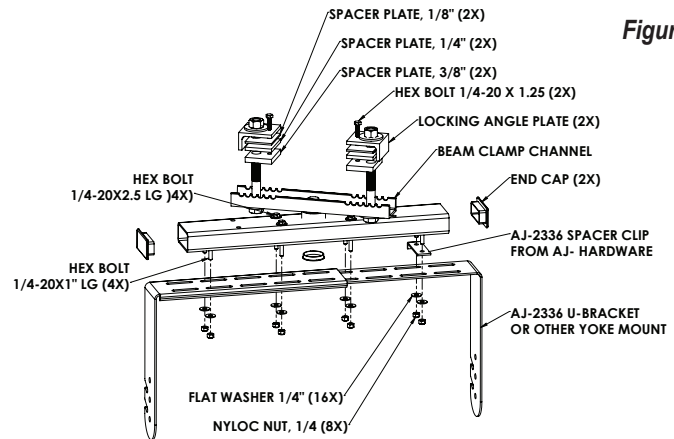


Figure 3

#### Step 4:

Put on the two end caps for the cross arm (Figure 2, 3).

#### Step 5:

Attach the speaker to the AJ-1524 adjustable u-bracket with the hardware kit that comes with it. Adjust the tilt angle and tighten the screws on the sides. Refer to AJ-1524 product instruction sheet.

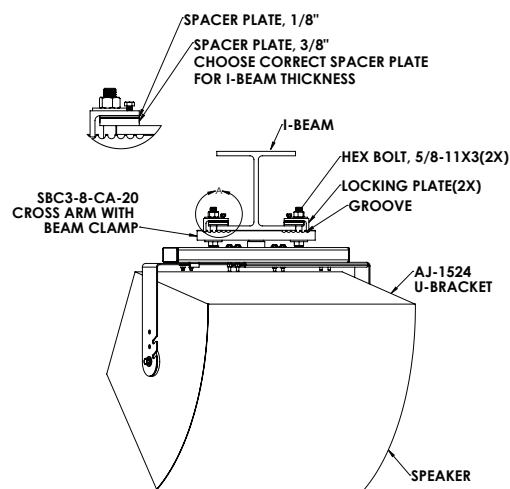
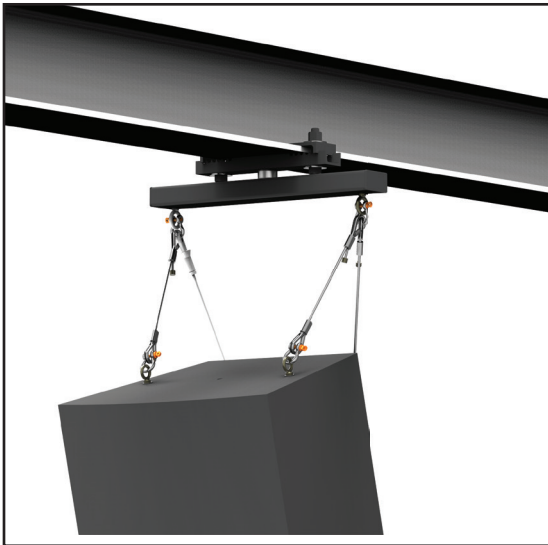


Figure 4

#### ALWAYS INSTALL SAFETY CABLES

**WARNING:** Mounting and/or suspension of audio and video equipment requires experienced professionals. Improperly installed loudspeakers can result in property damage, personal injury and/or liability to the installing contractor.



#### FOR SUSPENDING SPEAKERS

##### **Step 1:**

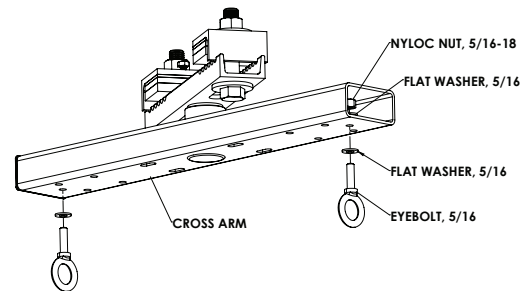
To Suspend a speaker to the cross arm, install the eyebolts to the center holes of the cross arm close to the edge. Use load rated hardware to suspend the speaker (Figure 1 and 2).

##### **Step 2:**

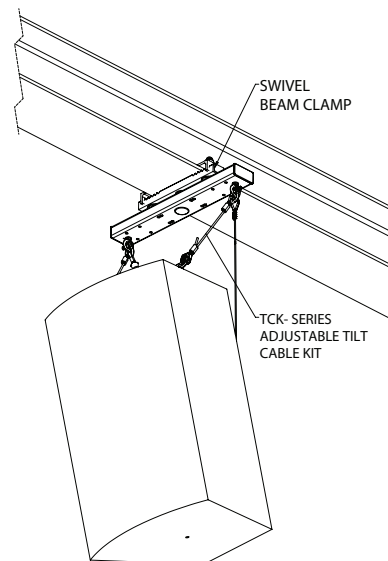
Install the hole plug to the center hole on the bottom of the tube.

##### **Step 3:**

Repeat step 3 and 4 to attach the Swivel beam clamp to the I-Beam.



*Figure 1*



*Figure 2*

#### **Warning:**

Mounting and rigging audio equipment requires experienced professionals. Improperly installed audio and video equipment can result in property damage, personal injury, death and/or liability to the installing contractor.

#### **Important:**

Due to the wide variety of overhead structures, rigging materials and rigging methods, these instructions assume that the installing contractor/installer will exercise good judgment in selecting the proper suspension points, hardware and mounting area. As a guide, the installation, when completed should be capable of supporting at least 5 times the actual applied load. Do not exceed the rigging system's working load limit of 300 Lbs. Use only Grade 8 hardware or load rated hardware to ensure a safe installation.