



The UB-705P U-Bracket kit is designed to mount and aim the JBL 705P Series to walls, decks, ceilings and under balconies.

#### Contents:

Be sure that all of the following items are included in this kit before proceeding:

- 1 pc U-Bracket
- 4 pcs M6 x 8mm OD Flat washer
- 4 pcs M6 Split lock washer
- 4 pcs Rubber washer, .25id x 1" OD
- 4 pcs Hex tap bolt, M6-1x25mm long
  
- 1 pcs Instruction Sheet

#### Installation Procedure:

##### Ceiling, Decks or Walls Attachment:

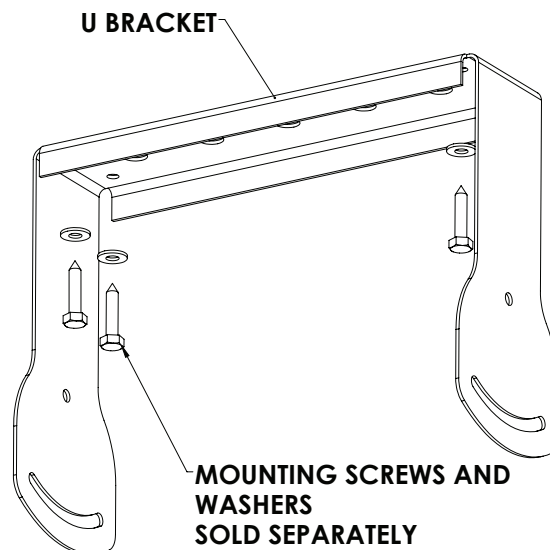
###### Step 1:

Place the U-bracket over the speaker cabinet to be sure it is the correct mount. Match the mounting holes of the speaker to the hole and slot of the u-bracket. Sound Isolation rubber washer are placed between the loudspeaker and the U-bracket's arm and fill any gaps.

###### Step 2:

Select the mounting area where the loudspeaker will be installed. Attach the base of the U-bracket to the wall or ceiling using the appropriate hardware for the application (**Figure 1**). (if in doubt, consult a local hardware specialist) Tigen permanently.

**Figure 1**

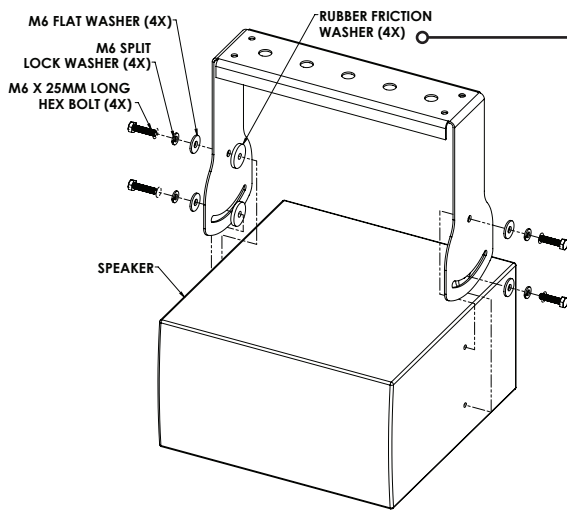


# Installation Guide

## UB-705P

### JBL 705P U-Bracket

Figure 2



**Step 3:**

Place the speaker between the U-Bracket's arms. Insert a M6 hex bolt, M6 flat washer and M6 lock washer through the hole and slot of the u-bracket's arms with the rubber washer in between the speaker and the u-bracket. Thread the bolt into the loudspeaker. Repeat on the other side of the speaker. Do not fully tighten yet (**Figure 2**).

**Step 4:**

Tilt the loudspeaker into the desired tilt angle then tighten the side bolts permanently.

**Step 5:**

Recommendation: Safety Cable

Install a safety cable to the speaker and to the mounting surface.

## Installation Procedure:

### Truss Clamp Attachment:

**Step 1:**

Place the U-bracket over the speaker cabinet to be sure it is the correct mount. Match the mounting holes of the speaker to the hole and slot of the u-bracket. Sound Isolation rubber washer are placed between the loudspeaker and the U-bracket's arm and fill any gaps.

**Step 2:**

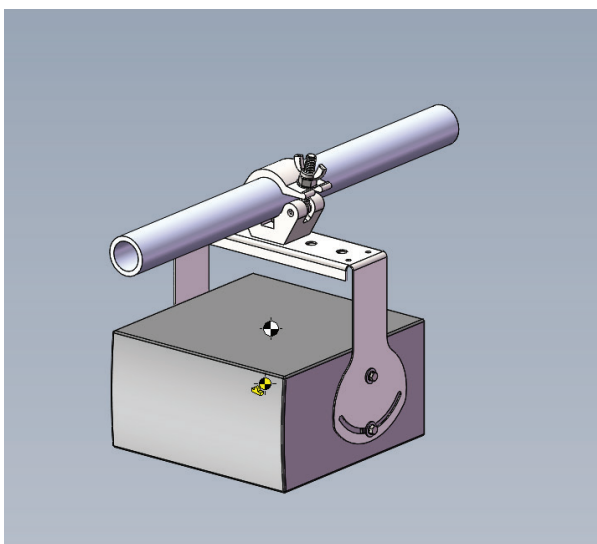
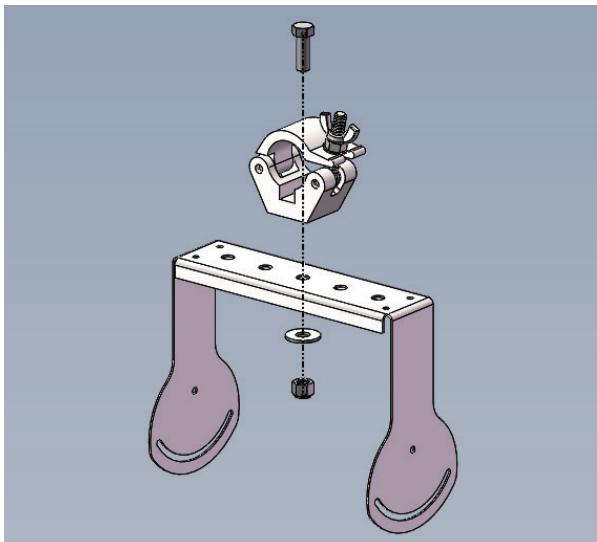
Attach the truss clamp (Cheeseborought clamps) to the center hole of the U-bracket using 1/2-13 x 1.5" long hex tap bolts, 1/2" flat washer and 1/2-13 nyloc nut (alternative is M12 x 40mm long hex tap bolt, M12 flat washer and M12 nyloc nut)-hardware are sold separately. (figure 3). Do not tighten permanently until speaker direction is set.

**Step 3:**

Place the speaker between the U-Bracket's arms. Insert a M6 hex bolt, M6 flat washer and M6 lock washer through the hole and slot of the u-bracket's arms with the rubber washer in between the speaker and the u-bracket. Thread the bolt into the loudspeaker. Repeat on the other side of the speaker. Do not fully tighten yet.

**Step 4:**

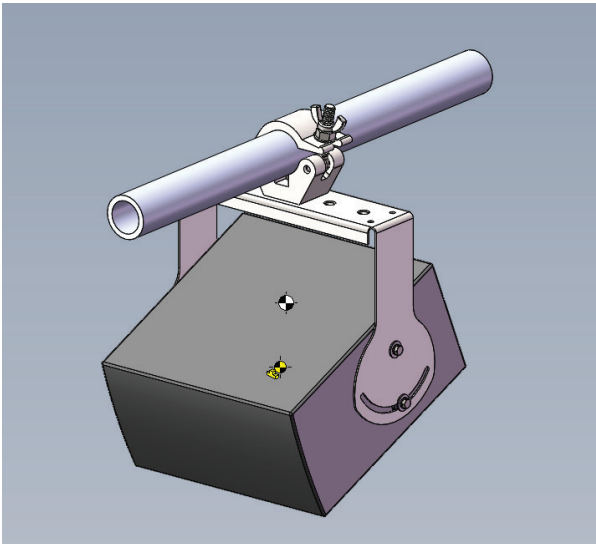
Attach the Truss clamp to the truss (see Truss Clamp installation guide) (Figure 4).



# Installation Guide

## UB-705P

### JBL 705P U-Bracket



#### Step 5:

Tilt the loudspeaker into the desired tilt angle then tighten the side bolts permanently. Rotate the U-bracket/speaker assembly to desired direction then tighten the truss clamp bolts. (See figure 5).

#### Step 6:

Recommendation: Safety Cable - Install a safety cable to the speaker and to the truss.

### Installation Procedure:

#### UB-3RDX-60 Attachment:

##### Step 1:

Place the U-bracket over the speaker cabinet to be sure it is the correct mount. Match the mounting holes of the speaker to the hole and slot of the u-bracket. Sound Isolation rubber washers are placed between the loudspeaker and the U-bracket's arm and fill any gaps.

##### Step 2:

Attach the UB-3RDX-60 to the base of the UB-705P using the 1/2-13 bolts, flat washer and nyloc nuts hardware from the UB-3RDX-60. Tighten permanently.

##### Step 3:

Place the speaker between the U-Bracket's arms. Insert a M6 hex bolt, M6 flat washer and M6 lock washer through the hole and slot of the u-bracket's arms with the rubber washer in between the speaker and the u-bracket. Thread the bolt into the loudspeaker. Repeat on the other side of the speaker. Do not fully tighten yet.

##### Step 4:

Attach the UB-3RDX-60 to the pipe structure (See UB-3RDX-60 installation guide).

##### Step 5:

Tilt the loudspeaker into the desired tilt angle then tighten the side bolts permanently.

##### Step 6:

Recommendation: Safety Cable

Install a safety cable to the speaker and to the mounting surface.



#### **Note to installers:**

Due to the wide variety of wall structures, materials and mounting methods, the installing contractor must exercise proper judgment in selecting the mounting area and hardware.

As a guide, the installation, when complete should be capable of supporting 5 to 10 times the actual applied load. Always use a backup safety system such as a safety cable.

To assure a trouble-free installation, read through and follow these instructions carefully before beginning. If you have doubts about the integrity of the structure you are mounting to or you are not sure about the proper hardware to use, consult a structural and/or hardware specialist.