

# WM-0-15-60

# 60 lb WLL

## REAR EXTENDABLE SPEAKER MOUNT

## WALLMOUNT



The WM-015-60 wall mount is an excellent choice for various wall mounting positions as well as fixed 0° and 15° speaker tilt angles. The speakers are secured by two of either standard mounting patterns, 5" x 2.75" and 4" x 2.25", located on the rear of the speaker cabinets.

The speaker tilt angle can be set at 0° by rotating the wall mount tube - angled up, or set at 15° by rotating the wall mount - angled down.

This Support Arm is equipped with 3 telescoping positions (5.06", 6.05" and 7.05"). Signal wire and a safety cable pass through the wall bracket and support arm to the speaker, providing a clean look.



### STANDARD FEATURES:

- ▶ 3 position telescoping support arm
- ▶ Simple one man speaker installations
- ▶ 0 or 15 Degree fixed Down-Tilt Angles
- ▶ Conforms to multiple mounting hole patterns including 2 x 4-1/4 and 2-3/4 x 5

### OPTIONAL ACCESSORIES:

- ▶ See Safety Cables datasheet

### SPECIFICATIONS:

**Material:** Structural Steel Alloy  
**Finish:** Powder Coat  
**Color:** Black  
**Tilt Rotation:** 15 degrees  
**WLL:** 60 lb. / (27.2 Kg) max.  
**Design Factor:** 7:1  
**Net wgt:** 2.2 lbs. (1 Kg) each  
**Shipping wgt:** 2.5 lbs. (1.13 Kg) each  
**Pack Count:** 1 per carton

\*WLL = Working Load Limit

### PACKAGE CONTENTS:

**1 pc:** Wall mounting plate  
**1 pc:** Speaker adapter assembly  
**1 pc:** Hardware kit assembly  
**1 pc:** Instruction sheet



Rated for indoor use.



### ALWAYS INSTALL SAFETY CABLES

**WARNING:** Do not assemble Loc-N-Load video walls without first adding counterbalancing ballast. Weights and or straps must be applied to the Loc-N-Load ground support system to secure the video wall. See ballast table in instruction manual or on side of T-Base for safe installation and use.

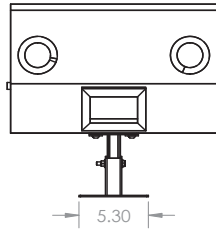
# WM-0-15-60

# 60 lb WLL

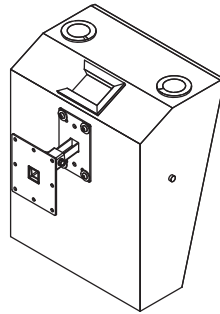
## REAR EXTENDABLE SPEAKER MOUNT

## WALLMOUNT

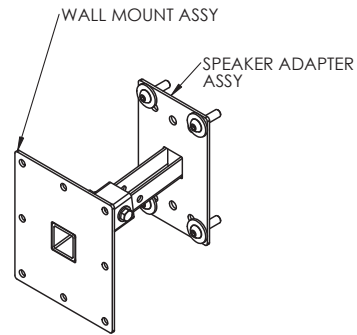
Top View



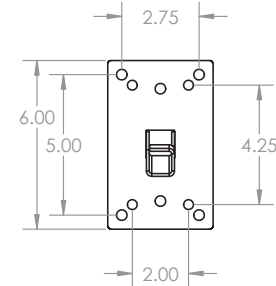
Rear View



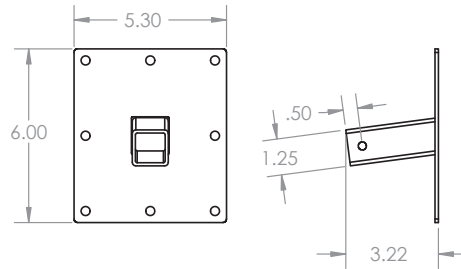
Assembly View



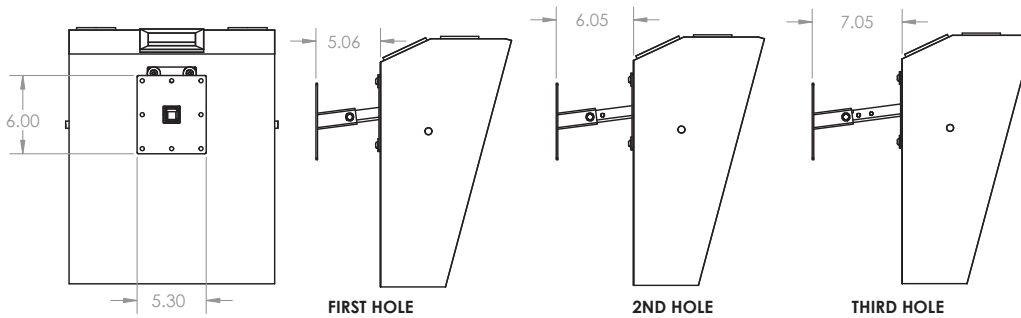
Speaker Adapter Plate



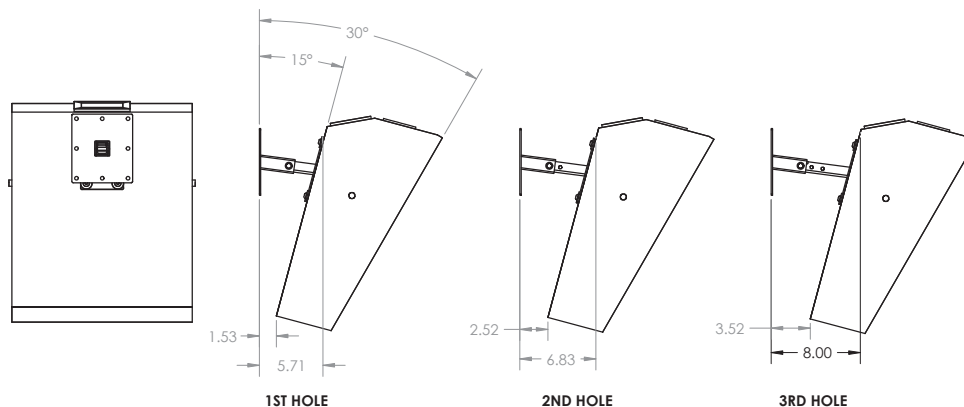
Wall Mount Assembly



### Angled Up for 0° Angle



### Angled Down for 15° Angle



**ALWAYS INSTALL SAFETY CABLES**

**WARNING:** Do not assemble Loc-N-Load video walls without first adding counterbalancing ballast. Weights and or straps must be applied to the Loc-N-Load ground support system to secure the video wall. See ballast table in instruction manual or on side of T-Base for safe installation and use.

