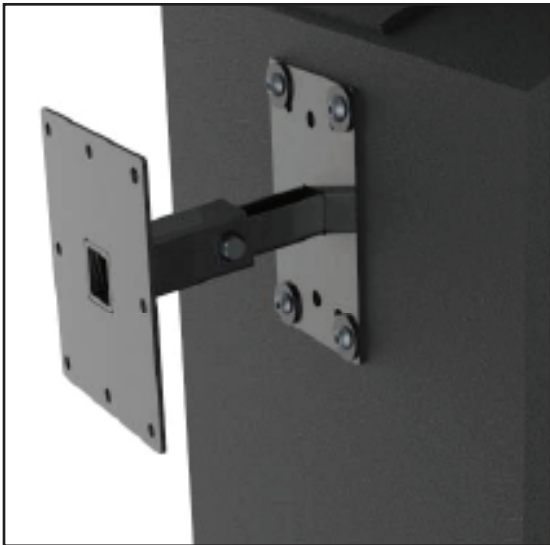


Installation Guide

WM-0-15-60

Speaker Wall Mount



The WM-0-15-60 wall mount is an excellent choice for various wall mounting positions as well as 0° and 15° speaker tilt angles. The speaker are secured to standard loud speaker mounting hole patterns, 5"x2.75" and 4" x 2.25" located on the rear of the speaker cabinets. This mount secures to speakers by way of standard 4 hole mounting pattern including 5" X 2 3/4 and 4 X 2 1/4 located on the rear panel of speaker cabinet.

Contents:

Be sure that all of the following items are included in this kit before proceeding:

- 1 pc wall mounting plate
- 1 pc speaker adapter assembly
- 1 pc hardware kit assembly
- 1 pc instruction sheet

Notes:

- Screws and washer to attach wall mount assembly to wall are not included.
- Screws and washer to attach speaker adapter to speaker are not included

Installation Procedure:

Step 1: The speaker tilt angle can be selected from either 0° or 15°. For 0° the wall mount tube is facing up, for 15° the wall mount tube is facing down (Figure 1 and Figure 2)

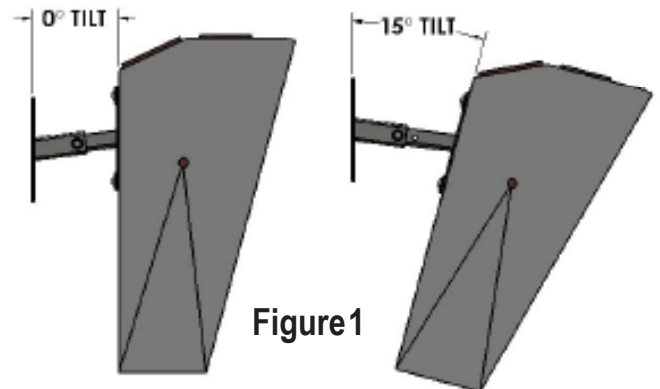
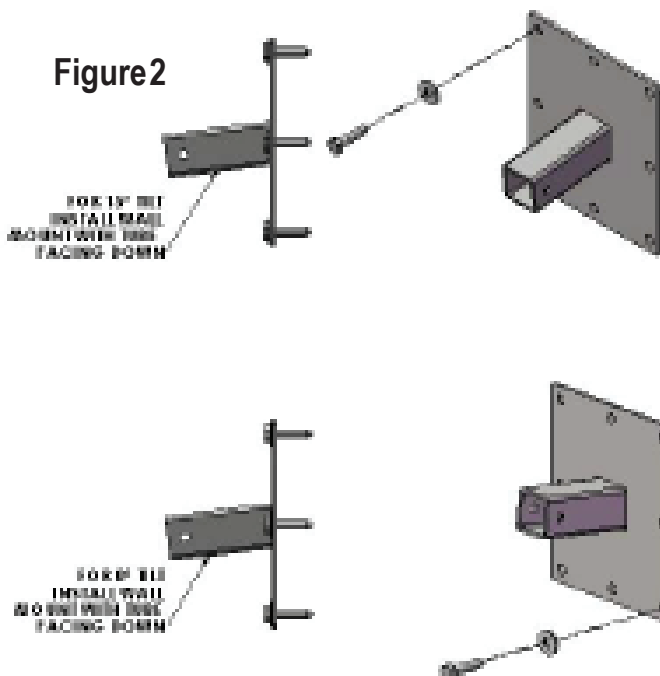


Figure 1



Step 2: Secure the wall plate assembly to the wall with the appropriate mounting hardware, hardware not included (Figure 2).

Installation Guide

PM-BAND-SERIES

PoleStar Pole Banding Kit 30" - 90"

Step 3: Secure speaker to the speaker adapter plate assembly with the opening of the channel facing up. Align the speaker's four mounting points with the mount's matching hole pattern. Use the speaker manufacturer's recommended fasteners; tighten fasteners permanently through the mount and into the speaker cabinet (Figure 3).

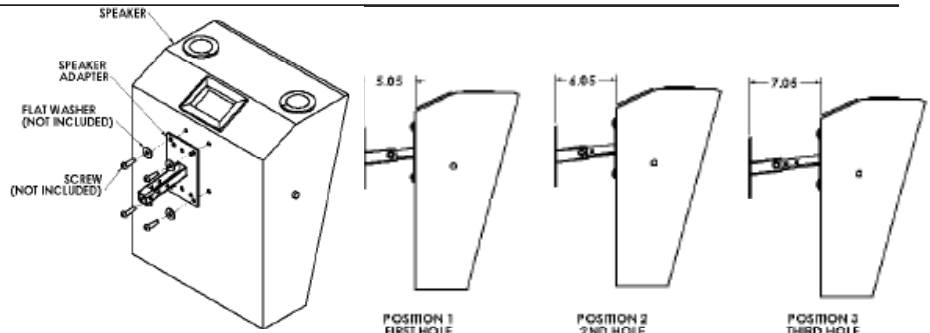


Figure 3

Figure 4A (0° Tilt)

Step 4: Speaker arm assembly mounting options range from 5.05" to 7.05" for 0° and 5.83" to 7.83" for 15° depending upon the hole used (Figure 4A and 4B).

Step 5: Attach the speaker adapter w/ speaker to the wall mount assembly hole using 1/4-20 hex head screw, nylon nut and flat washer. Tighten permanently. (Figure 5)

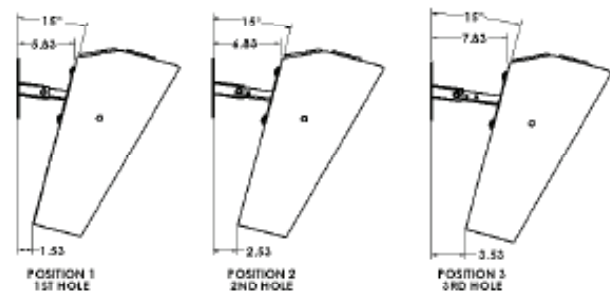


Figure 4B (15° Tilt)

Step 6: Connect signal wire to the speaker terminals.

Step 7: Always Install Safety Cables

Install safety cable Attach a safety cable (sold separately) to the mounting surface (must be able to support at least five times the weight of the speaker), then attach the other end of the safety cable to the speaker. If no attachment is provided on speaker, consult speaker manufacturer for advice on best attachment point and method.

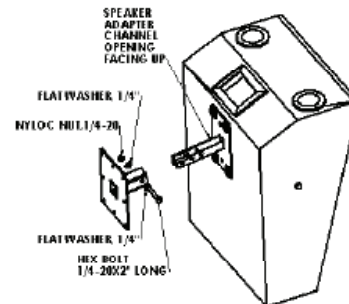


Figure 5

Caution: Due to the wide variety of structures, environments, materials and rigging methods, the installing contractor must exercise good judgment in selecting the proper mounting area and hardware.

Note to installers:

Due to the wide variety of wall structures, materials and mounting methods, the installing contractor must exercise proper judgment in selecting the mounting area and hardware.

As a guide, the installation, when complete should be capable of supporting 5 to 10 times the actual applied load. Always use a backup safety system such as a safety cable.

To assure a trouble-free installation, read through and follow these instructions carefully before beginning. If you have doubts about the integrity of the structure you are mounting to or you are not sure about the proper hardware to use, consult a structural and/or hardware specialist.