


Notes:
Unless Otherwise Specified

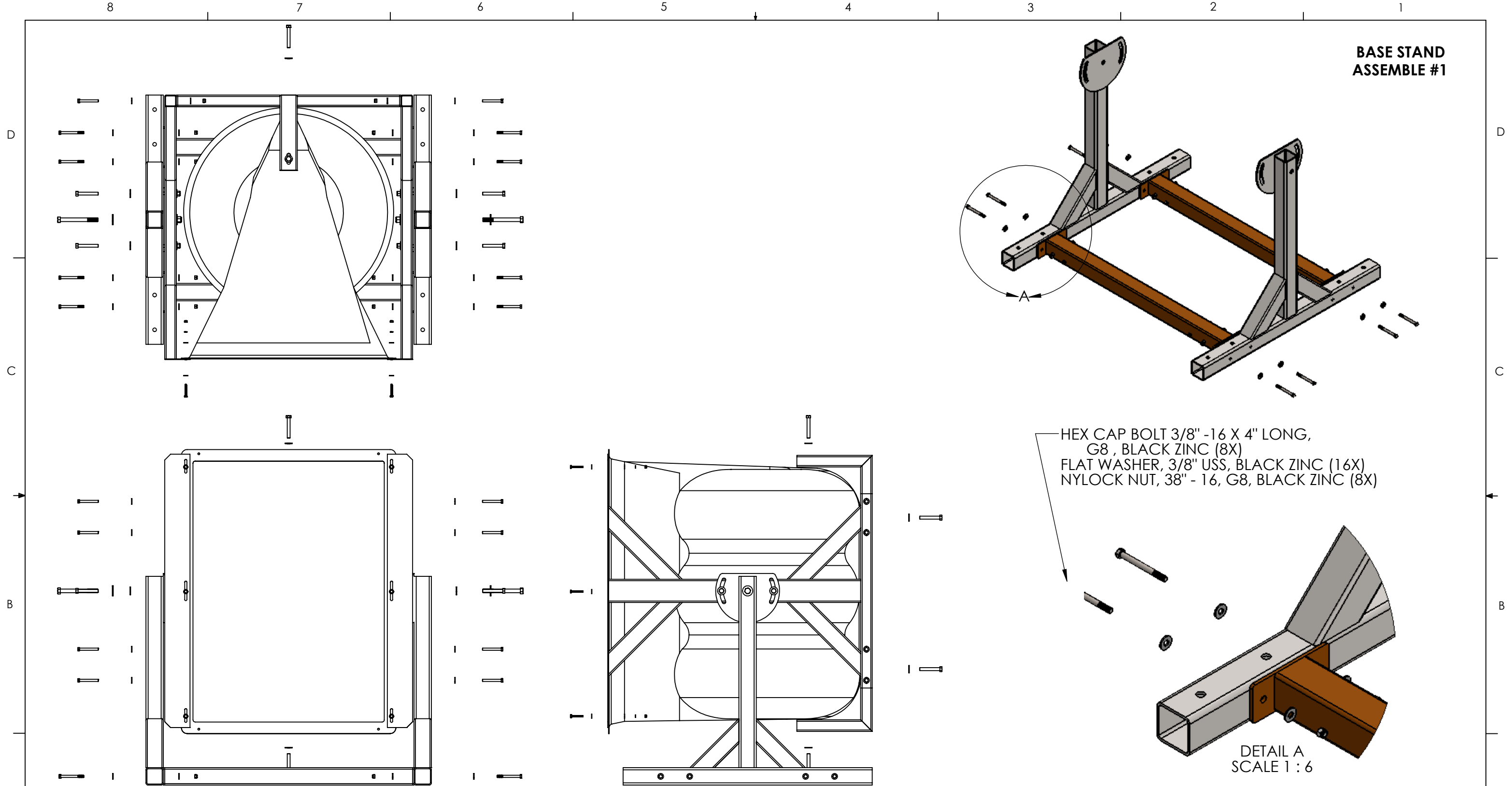
1. MATERIALS: FRAME - ASTM

2. PROCESS:

ESTIMATED WEIGHT OF SPEAKER AND BRACKETRY = 696.7 LBS

PROPRIETARY AND CONFIDENTIAL THIS DRAWING IS THE PROPERTY OF ADAPTIVE TECHNOLOGIES GROUP AND EMBODIES A PROPRIETY DESIGN ORIGINATED BY ADAPTIVE TECHNOLOGIES GROUP ALL DESIGN, MANUFACTURE, REPRODUCTION, USE AND SALE RIGHTS REGARDING THE SAME ARE EXPRESSLY RESERVED. THIS DRAWING MAY NOT BE REPRODUCED OR INFORMATION HEREIN TRANSMITTED IN ANY WAY WITHOUT WRITTEN CONSENT FROM ADAPTIVE TECHNOLOGIES GROUP ALL PATENT RIGHTS HERETO ARE EXPRESSLY RESERVED BY ALLEN PRODUCTS CO. SIGNAL HILL CALIFORNIA	UNLESS OTHERWISE SPECIFIED:		NAME	DATE	 ADAPTIVE TECHNOLOGIES GROUP 1635 E. Burnett Street Signal Hill, CA 90755 Tel: 562-424-1100 Fax: 562-424-3520	
	DIMENSIONS ARE IN INCHES		DRAWN	LB		05/18/15
	TOLERANCES:		CHECKED			
	FRACTIONAL ± 1/64		ENG APPR.			
	ANGULAR: MACH ± .5°		MFG APPR.			
TWO PLACE DECIMAL ±.03		Q.A.			TITLE: YM-R6 ASSEMBLY	
THREE PLACE DECIMAL ±.01		COMMENTS:			NEXT ASSY:	
INTERPRET GEOMETRIC TOLERANCING PER:					USED ON	
MATERIAL					SIZE DWG. NO. REV	
FINISH					B YM-R6 YOKE MOUNT 00	
DO NOT SCALE DRAWING					SCALE: 1:18 WEIGHT: 308.1 LBS SHEET 1 OF 4	

BASE STAND ASSEMBLE #1



PROPRIETARY AND CONFIDENTIAL

THIS DRAWING IS THE PROPERTY OF ADAPTIVE TECHNOLOGIES GROUP AND EMBODIES A PROPRIETY DESIGN ORIGINATED BY ADAPTIVE TECHNOLOGIES GROUP ALL DESIGN, MANUFACTURE, REPRODUCTION, USE AND SALE RIGHTS REGARDING THE SAME ARE EXPRESSLY RESERVED. THIS DRAWING MAY NOT BE REPRODUCED OR INFORMATION HEREIN TRANSMITTED IN ANY WAY WITHOUT WRITTEN CONSENT FROM ADAPTIVE TECHNOLOGIES GROUP ALL PATENT RIGHTS HERETO ARE EXPRESSLY RESERVED BY ALLEN PRODUCTS CO. SIGNAL HILL CALIFORNIA

UNLESS OTHERWISE SPECIFIED:

DIMENSIONS ARE IN INCHES
 TOLERANCES:
 FRACTIONAL $\pm 1/64$
 ANGULAR: MACH $\pm .5^\circ$
 TWO PLACE DECIMAL $\pm .03$
 THREE PLACE DECIMAL $\pm .01$

INTERPRET GEOMETRIC TOLERANCING PER:
 MATERIAL

FINISH

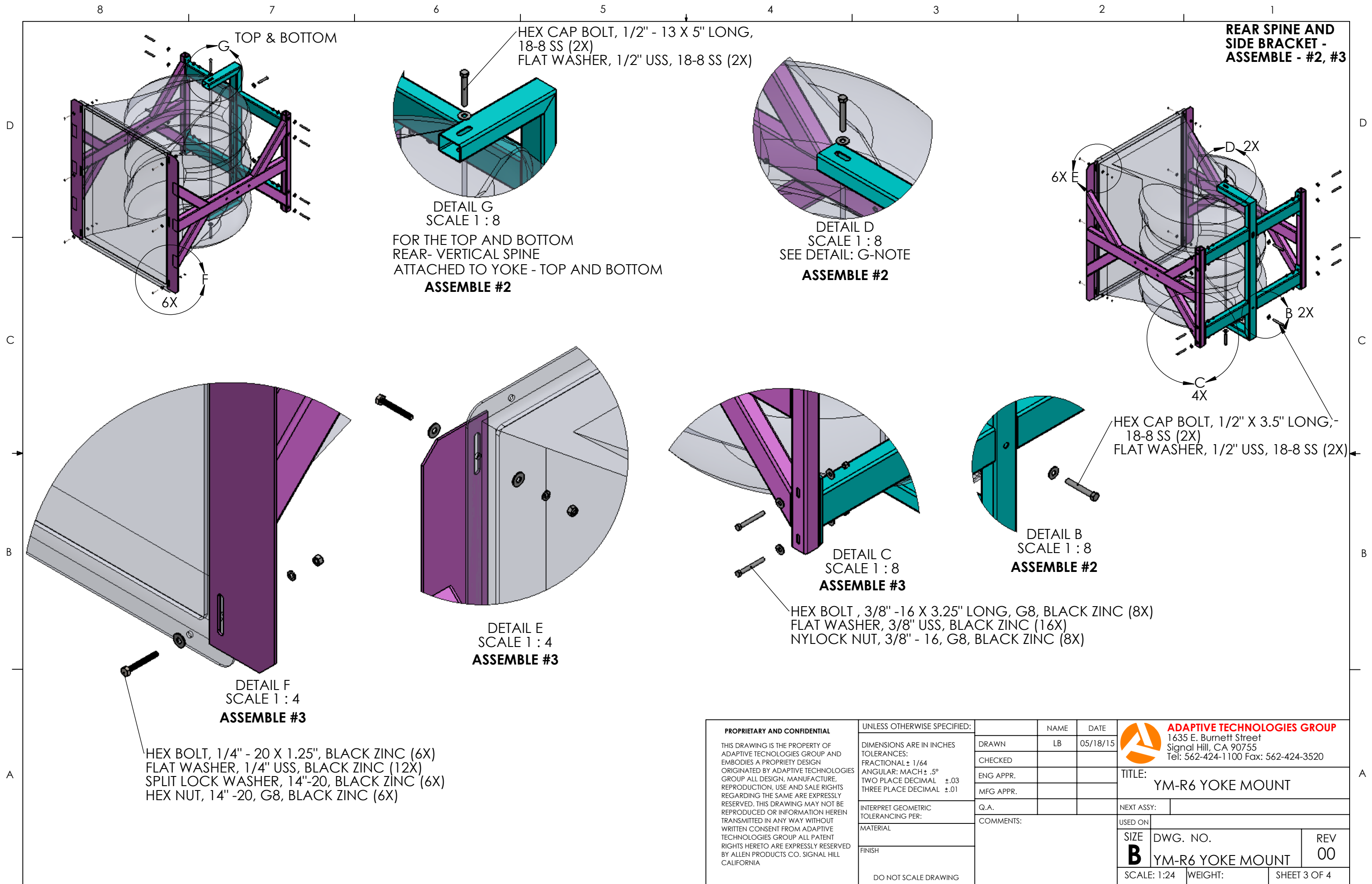
DO NOT SCALE DRAWING

NAME	DATE
DRAWN LB	05/18/15
CHECKED	
ENG APPR.	
MFG APPR.	
Q.A.	
COMMENTS:	

ADAPTIVE TECHNOLOGIES GROUP
 1635 E. Burnett Street
 Signal Hill, CA 90755
 Tel: 562-424-1100 Fax: 562-424-3520

TITLE: **YM-R6 YOKE ASSEMBLY**

NEXT ASSY:	
USED ON	
SIZE B	DWG. NO. YM-R6 YOKE MOUNT
SCALE: 1:16	REV 00
WEIGHT: 308.1 LBS	SHEET 2 OF 4

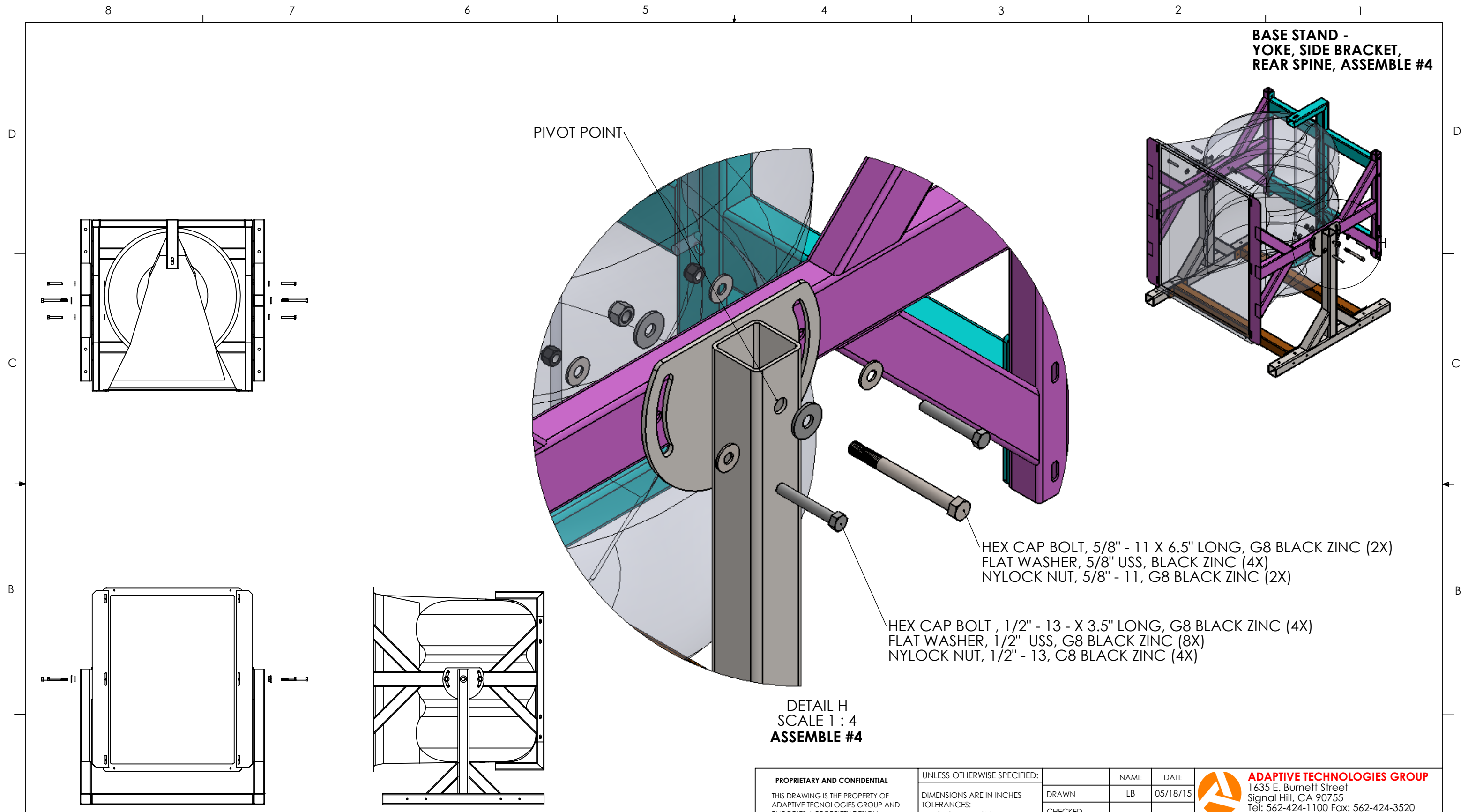


PROPRIETARY AND CONFIDENTIAL THIS DRAWING IS THE PROPERTY OF ADAPTIVE TECHNOLOGIES GROUP AND EMBODIES A PROPRIETY DESIGN ORIGINATED BY ADAPTIVE TECHNOLOGIES GROUP ALL DESIGN, MANUFACTURE, REPRODUCTION, USE AND SALE RIGHTS REGARDING THE SAME ARE EXPRESSLY RESERVED. THIS DRAWING MAY NOT BE REPRODUCED OR INFORMATION HEREIN TRANSMITTED IN ANY WAY WITHOUT WRITTEN CONSENT FROM ADAPTIVE TECHNOLOGIES GROUP ALL PATENT RIGHTS HERETO ARE EXPRESSLY RESERVED BY ALLEN PRODUCTS CO. SIGNAL HILL CALIFORNIA	UNLESS OTHERWISE SPECIFIED:		NAME	DATE
	DIMENSIONS ARE IN INCHES		DRAWN	LB
	TOLERANCES:		CHECKED	
	FRACTIONAL ± 1/64		ENG APPR.	
	ANGULAR: MACH ± .5°		MFG APPR.	
	TWO PLACE DECIMAL ±.03		Q.A.	
THREE PLACE DECIMAL ±.01		COMMENTS:	NEXT ASSY:	
INTERPRET GEOMETRIC TOLERANCING PER:	MATERIAL	USED ON		
FINISH	DO NOT SCALE DRAWING	SIZE	DWG. NO.	REV
		B	YM-R6 YOKE MOUNT	00
		SCALE: 1:24	WEIGHT:	SHEET 3 OF 4


ADAPTIVE TECHNOLOGIES GROUP
 1635 E. Burnett Street
 Signal Hill, CA 90755
 Tel: 562-424-1100 Fax: 562-424-3520

TITLE:
 YM-R6 YOKE MOUNT

**BASE STAND -
YOKE, SIDE BRACKET,
REAR SPINE, ASSEMBLE #4**



**DETAIL H
SCALE 1 : 4
ASSEMBLE #4**

<p>PROPRIETARY AND CONFIDENTIAL</p> <p>THIS DRAWING IS THE PROPERTY OF ADAPTIVE TECHNOLOGIES GROUP AND EMBODIES A PROPRIETY DESIGN ORIGINATED BY ADAPTIVE TECHNOLOGIES GROUP ALL DESIGN, MANUFACTURE, REPRODUCTION, USE AND SALE RIGHTS REGARDING THE SAME ARE EXPRESSLY RESERVED. THIS DRAWING MAY NOT BE REPRODUCED OR INFORMATION HEREIN TRANSMITTED IN ANY WAY WITHOUT WRITTEN CONSENT FROM ADAPTIVE TECHNOLOGIES GROUP ALL PATENT RIGHTS HERETO ARE EXPRESSLY RESERVED BY ALLEN PRODUCTS CO. SIGNAL HILL CALIFORNIA</p>	UNLESS OTHERWISE SPECIFIED:		NAME	DATE	 <p>ADAPTIVE TECHNOLOGIES GROUP 1635 E. Burnett Street Signal Hill, CA 90755 Tel: 562-424-1100 Fax: 562-424-3520</p>	
	DIMENSIONS ARE IN INCHES		DRAWN	LB		05/18/15
	TOLERANCES:		CHECKED			
	FRACTIONAL: ± 1/64		ENG APPR.			
	ANGULAR: MACH ± .5°		MFG APPR.			
TWO PLACE DECIMAL ±.03		Q.A.			TITLE:	
THREE PLACE DECIMAL ±.01		COMMENTS:			YM-R6 YOKE MOUNT	
INTERPRET GEOMETRIC TOLERANCING PER:			NEXT ASSY:			
MATERIAL			USED ON			
FINISH			SIZE	DWG. NO.	REV	
DO NOT SCALE DRAWING			B	YM-R6 YOKE MOUNT	00	
			SCALE: 1:24	WEIGHT:	SHEET 4 OF 4	