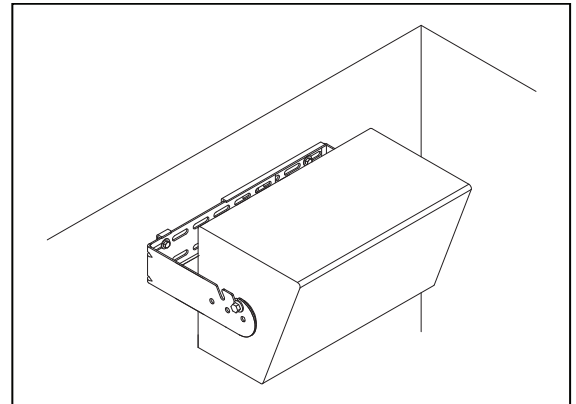


# Adjustable U-Mount Mounting Bracket Installation Instructions

Congratulations on your purchase of the AJ-1524/AJ-2336 wall and ceiling mount. The AJ-Series brackets accommodate different widths and depths of a wide variety of speakers. These mounts provide a tilt option for better aiming of sound and each kit includes sound isolation pads and assembly hardware.



## Important:

Mounting and/or rigging loudspeakers requires experienced professionals. Improperly installed loudspeakers can result in property damage, personal injury, death and/or liability to the installing contractor.

Item	Qty	Description	Item	Qty	Description
1.	1 pc.	Outer bracket	8.	2 pcs.	Split lock washer, 5/16"
2.	1 pc.	Inner bracket	9.	2 pcs.	Flat washer, 5/16"
3.	1 pc.	Back support clip	10.	2 pcs.	Hex bolt, 1/4-20 x 2"
4.	2 pcs.	Hex bolt, 3/8-16 x 2"	11.	2 pcs.	Split lock washer, 1/4"
5.	2 pcs.	Split lock washer, 3/8"	12.	4 pcs.	Flat washer, 1/4"
6.	2 pcs.	Flat washer, 3/8"	13.	2 pcs.	Gasket, 2.5 dia. X 1/4" thick
7.	2 pcs.	Hex bolt, 5/16-18 x 2"	14.	2 pcs.	Lag bolt, 1/4"

## Step 1.

Test the included hardware to see which bolts, washers and lock washers correspond to the speaker's threaded holes. If threaded holes are not provided, consult with the manufacturer for the correct mounting procedure.

## Step 2.

Select the mounting area where the speaker will be positioned. Be sure there is adequate structural material for mounting, such as studs. Do not rely on drywall, acoustic tiles, etc. to support the weight of the speaker.

## Step 3.

Choose which slot or center holes to use on the arms then apply the rubber gaskets on the inner side of the bracket arms. (Figure 1). For ceiling mounting, do not use open slots. Use one of the three available side holes.

## Step 4.

Insert and slide the inner bracket inside the flange of the outer bracket. Adjust the inner bracket so that the inside width of the arms from one surface of the gasket to the other is the same with the width or height of the speaker (wherever the arms are going to be attached to the speaker) (Figure 2).

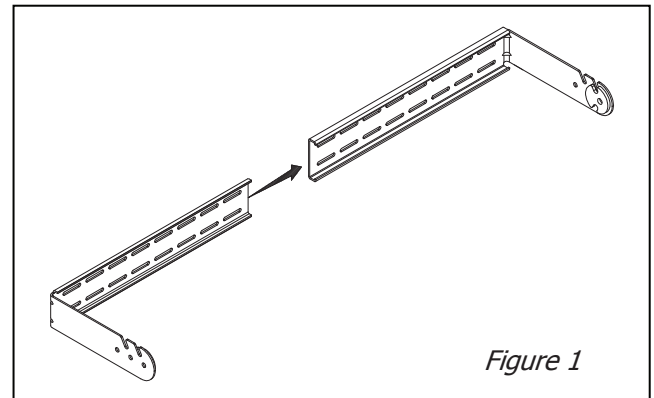


Figure 1

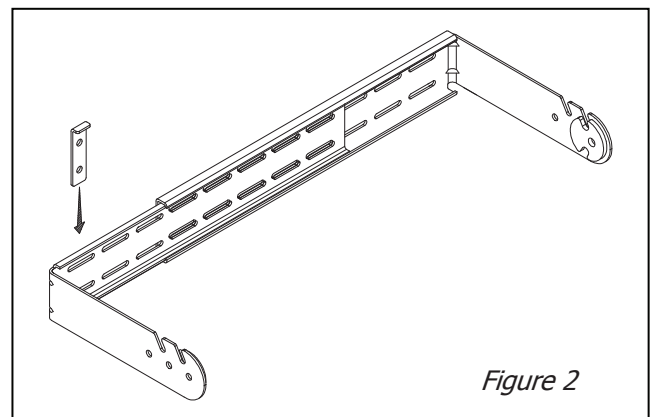


Figure 2

## Step 5.

Once the width of the bracket is set, use the bracket slots as a template to mark where the bracket is going to be mounted then pre-drill the holes. Be sure to use the outer most holes for the maximum support.

### Step 6.

Place the support clip at the back of the inner bracket and align the two holes of the support clip to the slots in the inner bracket to be used for mounting. Secure the bracket with the appropriate hardware for the wall or ceiling structure with the support clip between the wall/ceiling and the inner bracket. Make sure that the slots on the arms point toward the ceiling when mounting it to the wall (Figure 3).

### Step 7.

#### 7A.

#### Wall Mounting:

Screw in the appropriate speaker bolts and washers halfway into the threaded holes of the speaker (use one bolt, split lock washer and flat washer per side). Lift the speaker and insert the speaker bolts into the selected slots (where the rubber gasket was placed), make sure the split ring lock washers and the flat washers are on the outside of the bracket arm. Tighten the bolts securely while still allowing the speaker to be rotated to the desired position (Figure 4).

#### 7B.

#### Ceiling and Under Balcony Mounting:

Position the speaker in between the bracket's arms and insert the appropriate included hardware (bolt, split ring lock washer and flat washer per side) through the selected center hole of each arm (where the rubber gasket was placed) and into the speaker cabinet's threaded side holes. Tighten the bolts securely while still allowing the speaker to be rotated to the desired position (Figure 5).

### Step 8.

Rotate the speaker until the speaker is aimed in the desired direction then secure the side bolts with a wrench.

### Step 9.

To permanently set the final angle of the speaker, insert the included lag bolts with a washer through the unused hole of the side arms and into the speaker cabinet. Be sure the lag bolts will not enter into the cabinet where they may damage internal components.

### Step 10. Recommendation: Install Safety Cable

Attach a safety cable (sold separately) to the mounting surface (Must be able to support at least five times the weight of the speaker), then attach the other end of the safety cable to the speaker. If no attachment is provided on speaker, consult speaker manufacturer for advice on best attachment point and method.

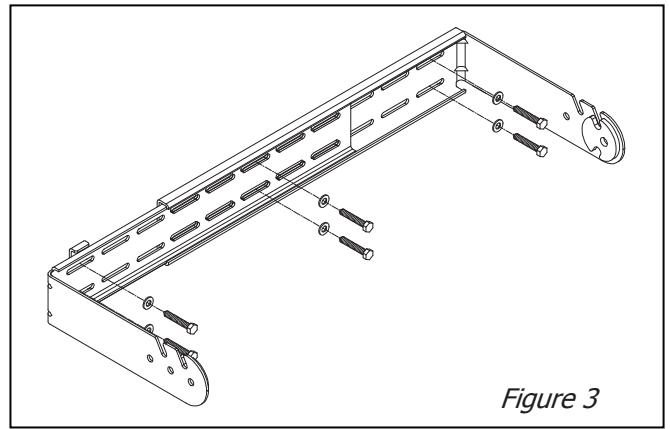


Figure 3

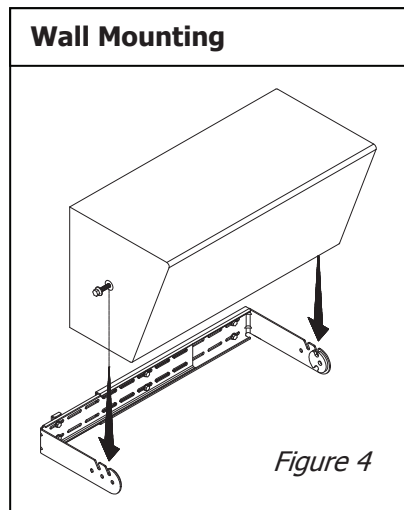


Figure 4

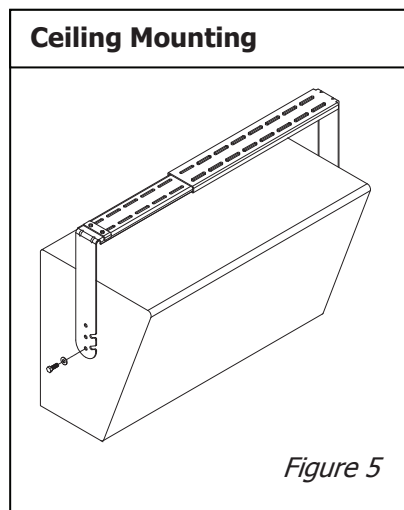
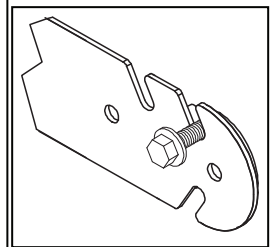
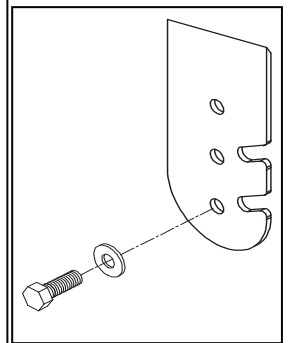


Figure 5



**ADAPTIVE**  
TECHNOLOGIES GROUP

1635 East Burnett Street, Signal Hill CA 92755

Tel: (562) 424-1100 Fax: (562) 424-3520

www.adapttechgroup.com www.adaptivetechgroup.com