

AJ-2336-BT

85 lb WLL

ADJUSTABLE WIDTH U-BRACKET WALLS & CEILING MOUNT

UB-SERIES



Wall Mounted

Adjustable Loudspeaker Mounting Kits support most of the mountable loudspeakers in the 85 lbs./38 kg. range, or less and its open side arm slots allow a single installer to easily mount loudspeakers in this weight range. Loudspeakers can be rotated within the arms to acquire the desired tilt angle. Separate side holes permit the angle of the speaker to be locked permanently using lag bolts. Since there are only two sizes, inventory requirements are minimal.

Fully captive arm holes permit safe, secure mounting of loudspeakers under balconies, overhangs and from ceilings. The brackets' base gives installers multiple options for placing speakers over irregular and unpredictable mounting surfaces because of its unique mounting slot pattern.



Ceiling Mounted

STANDARD FEATURES:

- ▶ Packed in pairs
- ▶ Two models support most loudspeakers, weighs 85 lbs/38 kg. or less
- ▶ 16" and 24" hole centers match wall studs
- ▶ Open arm slots for one man installation
- ▶ Sound isolation gaskets block sound transmission through walls
- ▶ Permanent angle set capable

OPTIONAL ACCESSORIES:

- ▶ UB-M06-BC hardware
- ▶ UB-M08-BC hardware
- ▶ UB-M10-BC hardware
- ▶ Safety cables

SPECIFICATIONS:

Material: Structural Steel Alloy

Down Tilt: Up to 60 degrees

Finish: Powder Coat

Color: Black

WLL: 85 lbs. (38.8 Kg) max.

Design Factor: 7:1 ratio



Rated for indoor use.

CONTENTS:

- ▶ Includes an assortment of 1/4", 5/6" and 3/8" bolts and hardware plus two 1/4" thick sound isolation gaskets.
- ▶ One pair bracket sets

ALWAYS INSTALL SAFETY CABLES

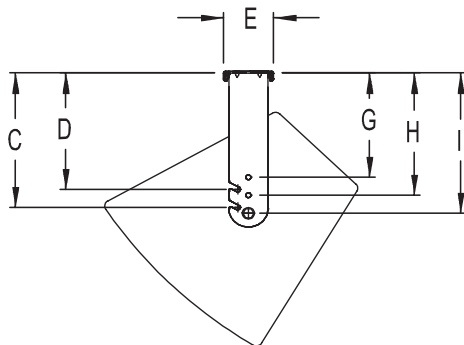
WARNING: Mounting and/or suspension of equipment requires experienced professionals. Improperly installed equipment can result in property damage, personal injury and/or liability to the installing contractor.

AJ-2336-BT

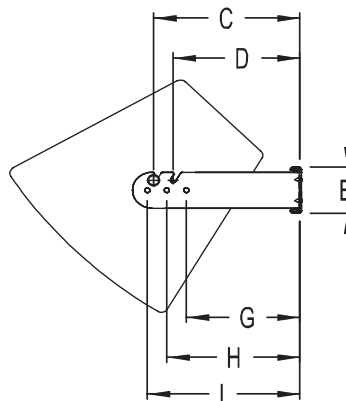
85 lb WLL

ADJUSTABLE WIDTH U-BRACKET WALLS & CEILING MOUNT

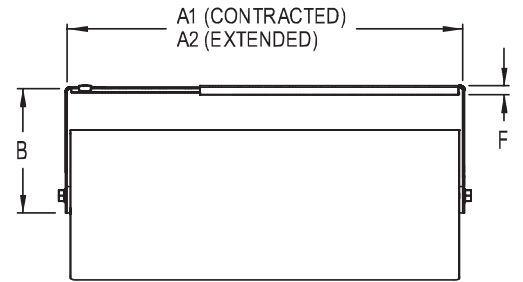
UB-SERIES



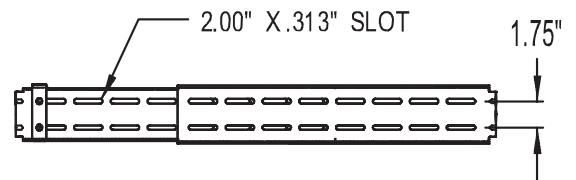
Side View
(ceiling application)



Side View
(wall application)



Top View



Back View

DIMENSIONS: INCHES / METRIC

AJ-2336 Arms adjust from 23" to 36"

A1	A1	B	C	D	Net Weight
23" / 584	36" / 914	11.8" / 299	10.3" / 260	8.8" / 222	10.7 lbs / 4.8Kg

E	F	G	H	I	Ship Weight
3.8" / 97	.82" / 21.0	7.7" / 196	9.2" / 233	10.7" / 272	12 lbs / 5.5Kg

Adaptive Technologies Group
1635 E. Burnett Street | Signal Hill, CA 90755 USA
Ph: 562.424.1100 | Fax: 562.424.3520
www.adaptivetechologiesgroup.com



ALWAYS INSTALL SAFETY CABLES

WARNING: Mounting and/or suspension of equipment requires experienced professionals. Improperly installed equipment can result in property damage, personal injury and/or liability to the installing contractor.