

# BC12-17-2 Beam Clamp

NOT FOR HUMAN SUSPENSION

CHANNEL STYLE WITH DUAL OFF-SET SUSPENSION POINTS

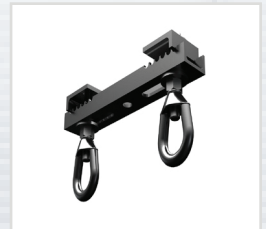
BEAM-WARE



## 980 lb Beam Clamp

Standard, pre-engineered beam clamps anchor to a building's beam structure and offer two very predictable off-set rigging points for hanging clusters, arrays and other objects from overhead. This channel style beam clamp is adjustable and mounts flush underneath the beam's flange. It comes equipped with two eye nuts, one on each side of the flange, for suspending objects from wire rope, rigging chain, spansets, etc.

Use the BC12-17-2 channel style beam clamp to provide an offset load rated overhead rigging point from structural I-Beams with flange widths ranging between 12" and 17" (304-431 mm). This beam clamp model provides a fast, easy and safe way to rig direct loads, bridles and hitches. A hand wrench is all that is required to secure the clamp to the beam. Beam flanges must be parallel to the floor to achieve the stated safe working loads.



### KEY FEATURES:

- ▶ Single center hang points for 1/2" to 5/8" dia. threaded rod
- ▶ Provides safe load-rated hang points
- ▶ Clamps securely to beam flanges ranging from 12"-17"

### OPTIONAL ACCESSORIES:

- ▶ See Wire Rope Datasheet
- ▶ See Rigging Components Datasheet

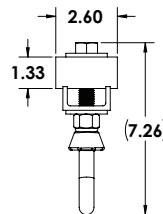
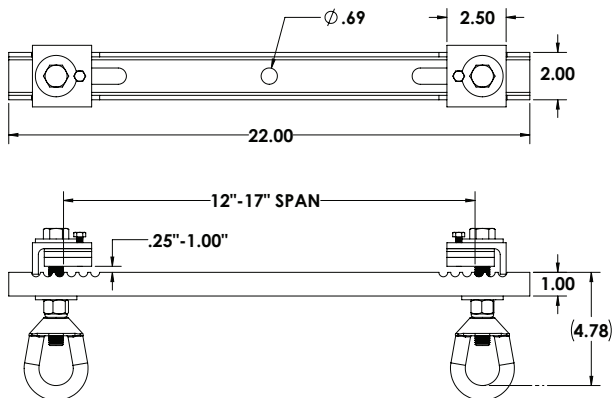
### SPECIFICATIONS:

**Material:** Structural C-Channel  
**Finish:** Powder Coat  
**Color:** Black  
**Design Factor:** 5:1  
**WLL:** 980 lbs / 445 Kg. WLL (VERTICAL)  
**WLL:** 578 lb / 261 Kg @45°  
**DO NOT EXCEED 45° off vertical**

### PACKAGE CONTENTS:

**2 pcs** 5/8" Eye Nut  
**1 pc** Channel Clamp

### DIMENSIONS:



Rated for indoor use.

#### ALWAYS INSTALL SAFETY CABLES

**WARNING:** Mounting and/or suspension of audio and video equipment requires experienced professionals. Improperly installed loudspeakers can result in property damage, personal injury and/or liability to the installing contractor.