

BC7-12-GE, BC12-18-GE PRODUCT INSTALLATION GUIDE:

- ASSEMBLE THE EYEBOLT, SWIVEL BALL, FLAT WASHER AND HEX NUT INSIDE THE CHANNEL'S CENTER HOLE. MAKE SURE TO LEAVE A GAP OF 1/2" BETWEEN THE EYEBOLT AND THE SWIVEL BALL (FIGURE 1)

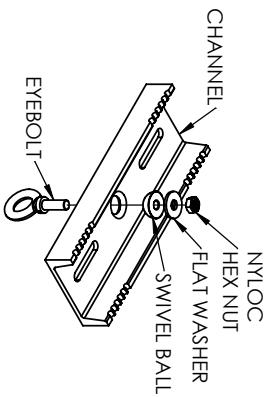


FIGURE 1

- ATTACH THE SWIVEL BEAM CLAMP TO THE STRUCTURE I-BEAM'S FLANGE. PLACE THE APPROPRIATE NUMBER OF SPACERS (1", 1/2", 1/4" OR 1/8" THICK) IN BETWEEN THE ANGLE LOCKING BAR AND THE TOP OF THE I-BEAM TO ACCOMMODATE THE THICKNESS OF THE I-BEAM'S FLANGE. ASSEMBLE THE LOCKING ANGLE BAR, FLAT WASHER, SPACERS, AND NYLOCK NUT ONTO THE I-BEAM (FIGURE 2)..

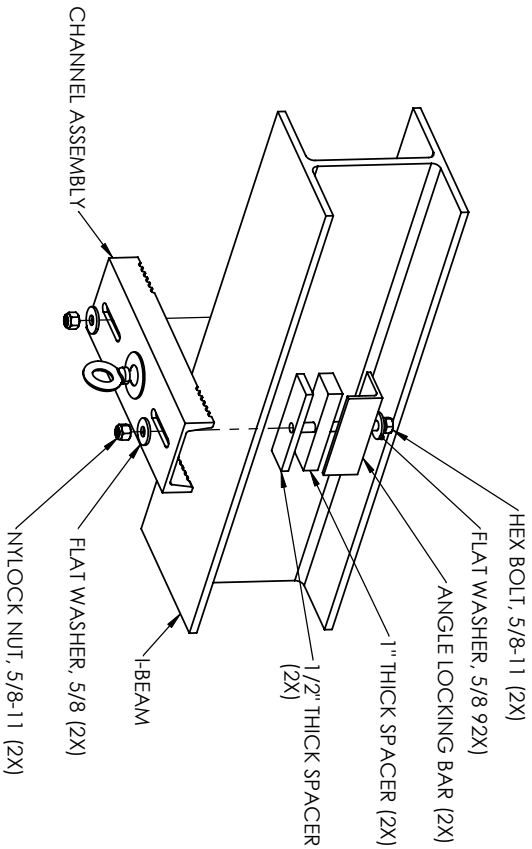


FIGURE 2 (SHOWN WITH 1" AND 1/2" THICK SPACERS)

- MAKE SURE THE ANGLE LOCKING BAR SITS INSIDE ONE OF THE GROOVES OF THE CHANNEL EDGES AND THAT THE BOLTS ARE CLOSE AS POSSIBLE TO THE I-BEAM (FIGURE 3)

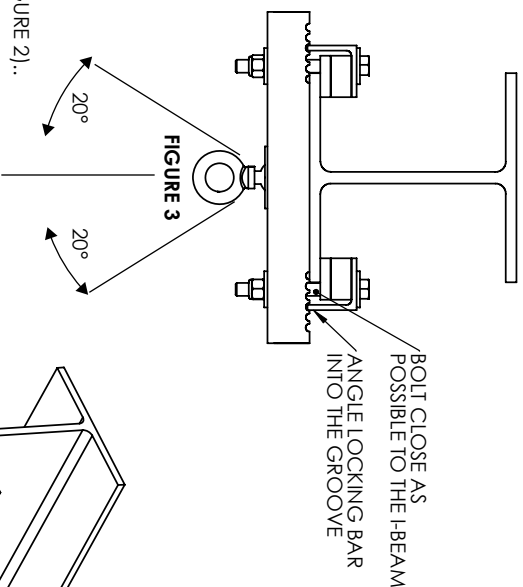


FIGURE 3

- ATTACH SELECTED SUSPENSION CABLES TO THE EYEBOLT USING LOAD RATED HARDWARE (FIGURE 4)

NOTE! THE WORKING LOAD REMAINS THE SAME FROM THE CENTER HANG POSITION THROUGH 20° ARE IN ANY DIRECTION



FIGURE 4

REV.	DESCRIPTION	REVISIONS	DRAWN	DATE	APPROVED
3					
2					
1					