

Installation Guide

BC3-7-J

Scissor Style Beam Clamp



Adaptive's back chain series helps to prevent kinking and interference with cable pulley systems used for tilting speakers.

Contents:

Be sure that all of the following items are included in this kit before proceeding:

- 1 pc Adjustable Jaw Beam Clamp Assy.
- 1 pcs 7/16-14 X 2-1/2" long Hex Bolt, Grd 8, gld
- 1 pcs 7/16-14 Nyloc Nut, G8, blkznc
- 2 pcs 7/16 Flat Washer, USS,lkznc
- 1 pcs FLANGE CAP 1/2-13 X 1.5 G8,BLKZNC
- 1 pcs 1/2" Flat Washer,USS, blk
- 2 pcs HEX NUT 3/8-16 G8, BLACK

Installation

Step 1:

Loosen the two hex nut on each end of the threaded rod until the hook of the claw fits into the I-Beams Flange (Figure 1)

Step 2:

Hook the claws to the flange of the I-beam then close so the inside of the claw is in contact with the side of the flange (Figure 2).

Figure 1

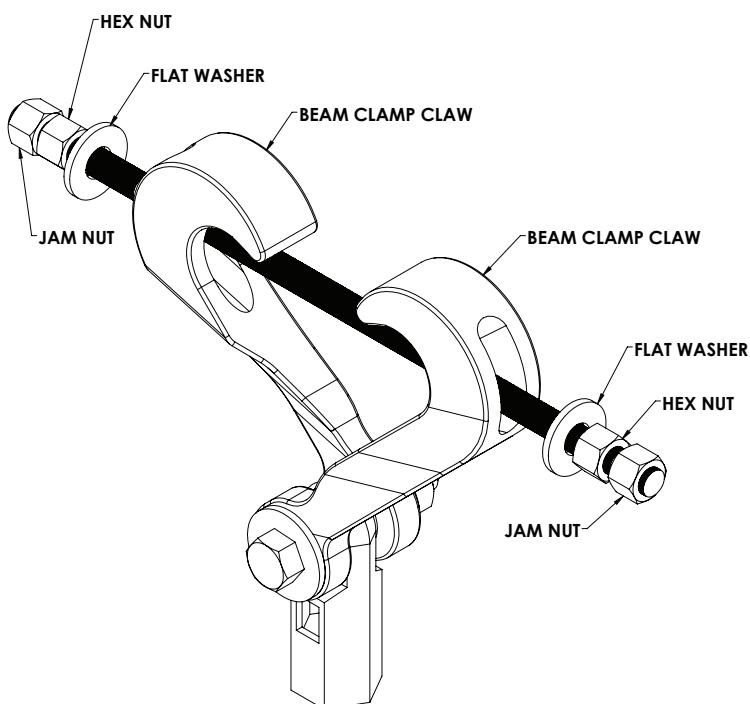
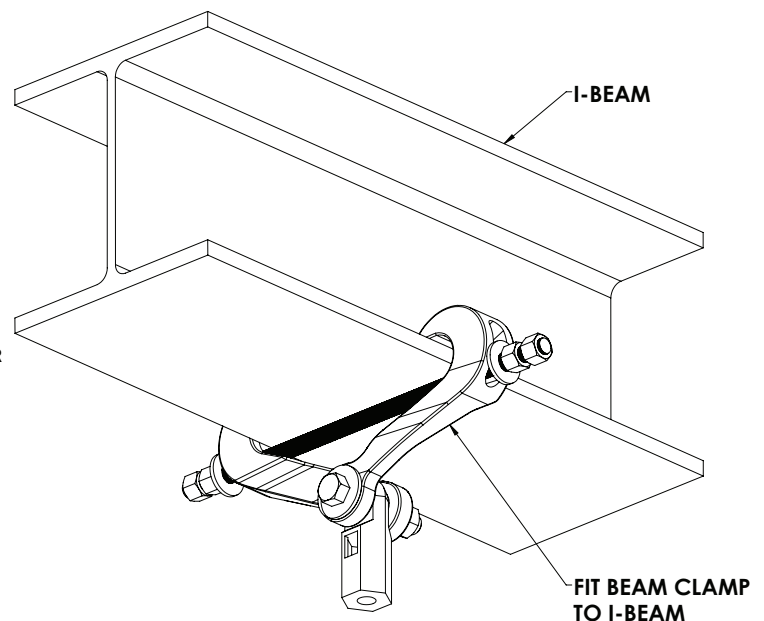


Figure 2



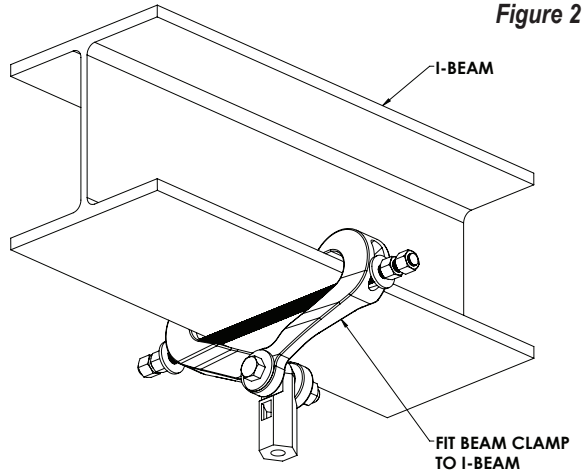
Installation Guide

BC3-7-J

Scissor Style Beam Clamp

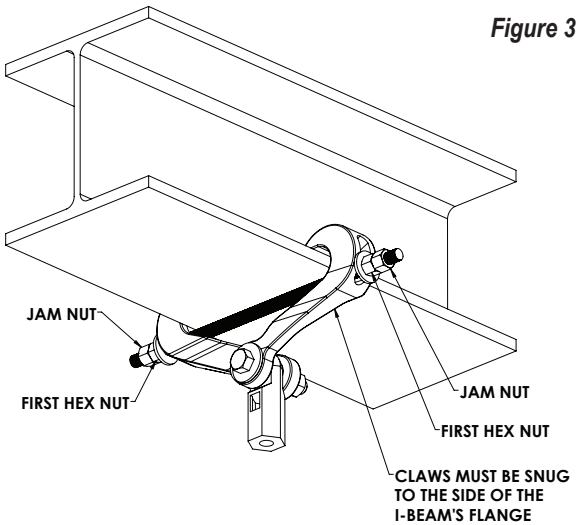
Step 3:

Position beam clamp to desired position then evenly tighten the first hex nuts on each ends permanently until the BC3-7J claws are snug onto the edge of the I-beam's flange (Figure 2)



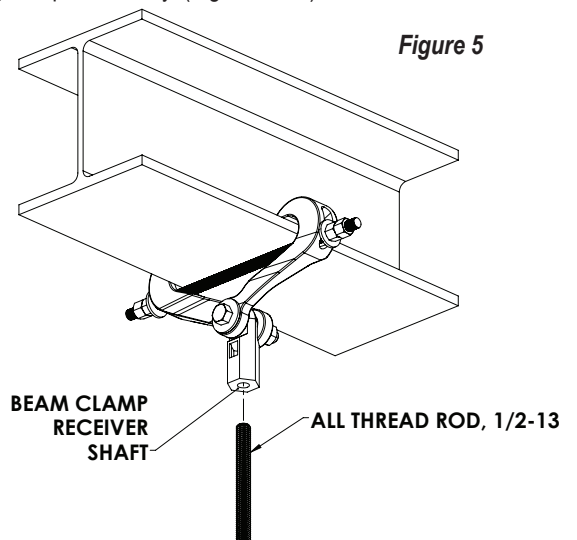
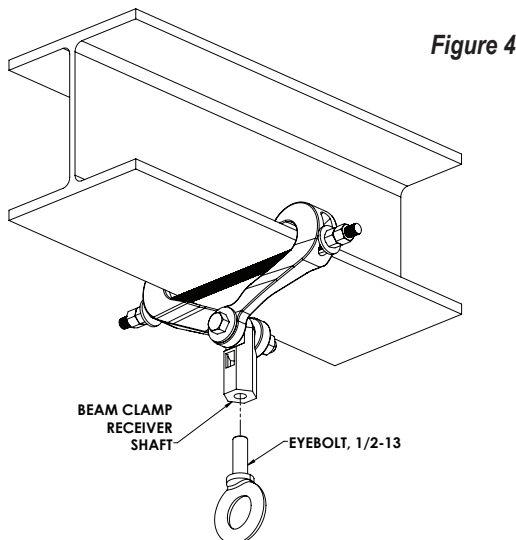
Step 4:

Tighten the jam nuts permanently (Figure 3).



Step 5:

Install 1/2"-13 eyebolt or 1/2"-13 All-threaded rod to the receiver shaft of the beam clamp. Tighten permanently. (Figure 4 & 5).



Installation Guide

BC3-7-J

Scissor Style Beam Clamp

Step 6:

Attached cables of other load rated rigging hardware to the eyebolt (see main illustrations).



Note to installers:

Due to the wide variety of wall structures, materials and mounting methods, the installing contractor must exercise proper judgment in selecting the mounting area and hardware.

As a guide, the installation, when complete should be capable of supporting 5 to 10 times the actual applied load. Always use a backup safety system such as a safety cable.

To assure a trouble-free installation, read through and follow these instructions carefully before beginning. If you have doubts about the integrity of the structure you are mounting to or you are not sure about the proper hardware to use, consult a structural and/or hardware specialist.