

BC3-7-J

SCISSOR STYLE BEAM CLAMP

BEAM-WARE



SUSPENSION AND AIMING FOR TWO CABINETS

Creating suitable overhead structural suspension points for rigging systems can be difficult so using the building's own structure can provide more options for the installer. Standard, pre-engineered beam clamps attach to the building's beam structure and offer an easy, safe and predictable method of suspension. The half inch eye bolt shown below (EB-500-75) is sold separately.



STANDARD FEATURES:

- ▶ Scissor style clamp gets stronger as the applied weight increases.
- ▶ Infinite adjustments from 3" - 7"
- ▶ Accommodates 1/2-13 threaded rod or eyebolt for suspension.
- ▶ All domestic fasteners.
- ▶ Ideal for permanent and temporary suspensions.

OPTIONAL ACCESSORIES:

- ▶ See Threaded Rod Datasheet
- ▶ See Strut Accessories Datasheet

SPECIFICATIONS:

Part Number: BC3-7-J

Materials: Stainless and Galvanized Steel Components

Width: 3" to 7" / 76mm to 178mm

Color: Grey

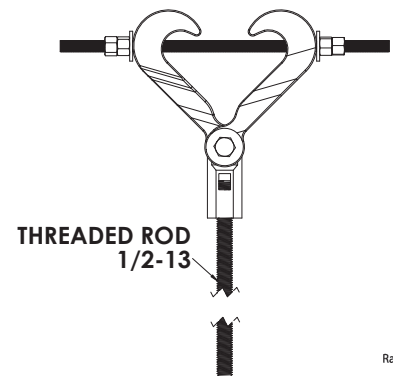
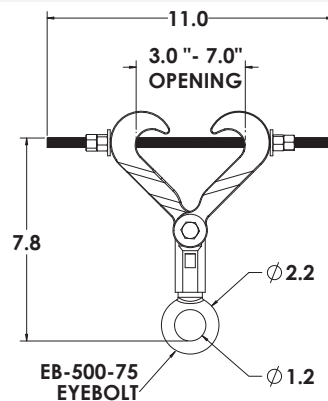
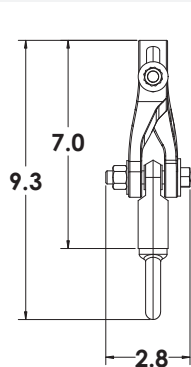
Design Factor: 5:1 ratio

Working Load: 1130 lb. / 514 Kg. WLL (Vertical)

45 DEG. WL: 620 lb. / 295 Kg.

90 DEG. WL: 520 lb. / 236 Kg.

DIMENSIONS:



Rated for indoor use.

ALWAYS INSTALL SAFETY CABLES

WARNING: Mounting and/or suspension of audio and video equipment requires experienced professionals. Improperly installed loudspeakers can result in property damage, personal injury and/or liability to the installing contractor.