

# BC3-8-2

# 2100 lb WLL

LOW PROFILE BEAM CLAMP WITH TWO HANG POINTS

BeamWare™



Dual Off-Set Suspensions

### CHANNEL STYLE BEAM CLAMP

Standard, pre-engineered beam clamps anchor to a building's beam structure and offer two very predictable off-set rigging points for hanging clusters, arrays and other objects from overhead. This channel style beam clamp is adjustable and mounts flush underneath the beam's flange. It comes equipped with two eye nuts, one on each side of the flange, for suspending objects from wire rope, rigging chain, spansets, etc.

Use the BC3-8-2 channel style beam clamp to provide an offset load rated overhead rigging point from structural I-Beams with flange widths ranging between 3" and 8" (76-203 mm). This beam clamp model provides a fast, easy and safe way to rig direct loads, bridles and hitches. A hand wrench is all that is required to secure the clamp to the beam. Beam flanges must be parallel to the floor to achieve the stated safe working loads.



I-Beam Clamp

### KEY FEATURES:

- ▶ Two load-rated suspension points
- ▶ Clamps quickly / permanently to I-Beams
- ▶ Available for beam flanges ranging from 3" - 8"

### OPTIONAL ACCESSORIES:

- ▶ See Wire Rope Datasheet
- ▶ See Rigging Components Datasheets

\* Hang points orient toward pull direction

\* Not for human suspension

### SPECIFICATIONS:

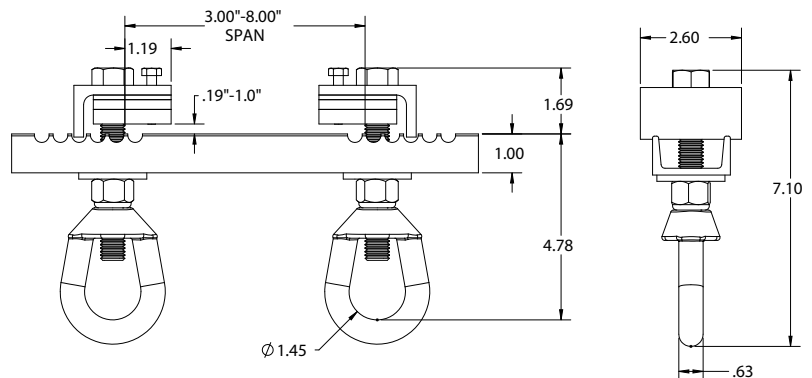
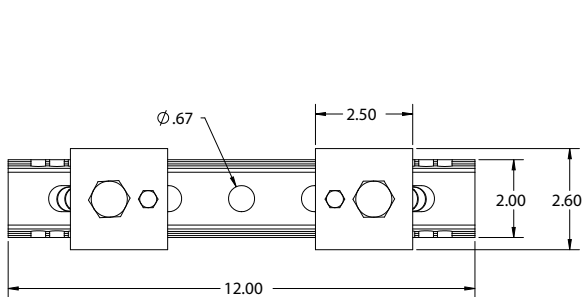
**Material:** All Steel Components  
**Width:** (BC3-8) 3" to 8" / 76mm to 203mm  
**Finish:** Powder Coat  
**Color:** Black  
**Design Factor:** 5:1  
**WLL:** 2100 lb / 953 Kg WLL (VERTICAL)  
**WLL:** 825 lb / 375 Kg @45°  
**DO NOT EXCEED 45° off vertical**

### PACKAGE CONTENTS:

**2 pcs** 5/8" eye nut  
**1 pc** Channel Clamp



Rated for indoor use.



### ALWAYS INSTALL SAFETY CABLES

**WARNING:** Mounting and/or suspension of equipment requires experienced professionals. Improperly installed equipment can result in property damage, personal injury and/or liability to the installing contractor.