

BC7-12-GE, BC12-18-GE PRODUCT INSTALLATION GUIDE:

1. ASSEMBLE THE CHANNEL, EYEBOLT, SWIVEL BALL, FLAT WASHER AND HEX NUT. MAKE SURE TO LEAVE A GAP OF 1/2" BETWEEN THE EYEBOLT AND THE SWIVEL BALL (FIGURE 1)

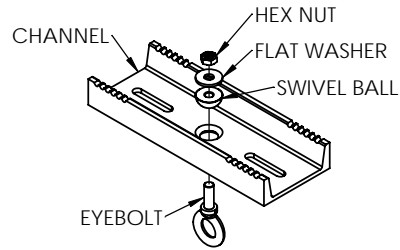


FIGURE 1

2. ATTACH THE SWIVEL BEAM CLAMP TO THE STRUCTURE I-BEAM'S FLANGE. PLACE THE APPROPRIATE NUMBER OF SPACERS (1", 1/2", 1/4" OR 1/8" THICK) IN BETWEEN THE ANGLE LOCKING BAR AND THE TOP OF THE I BEAM TO ACCUMUDATE THE THICKNESS OF THE I-BEAM'S FLANGE. ASSEMBLE THE LOCKING ANGLE BAR, FLAT WASHER, SPACERS, AND NYLOCK NUT ONTO THE I-BEAM (FIGURE 2).. MAKE SURE THE ANGLE LOCKING BAR SITS ON THE GROOVES OF THE CHANNEL (FIGURE 3).

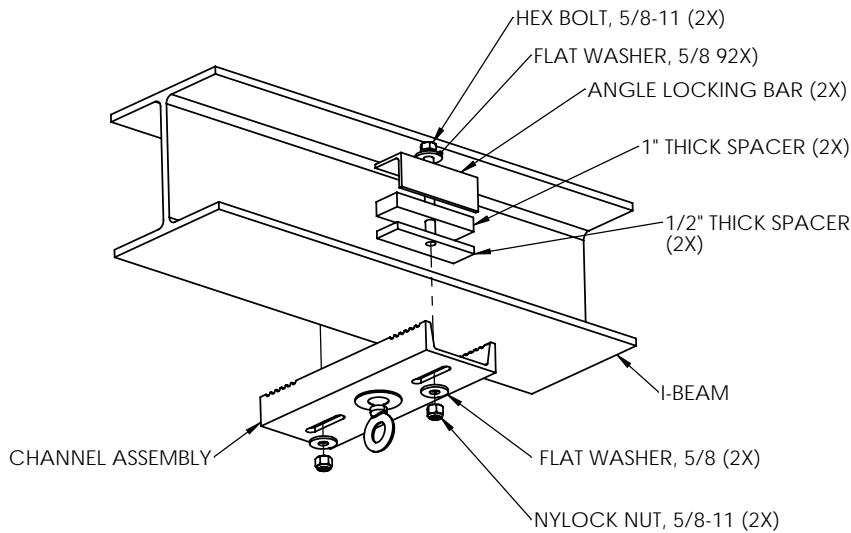


FIGURE 2 (SHOWN WITH 1" AND 1/2" THICK SPACERS)

3. MAKE SURE THE ANGLE LOCKING BAR SITS ON THE GROOVES OF THE CHANNEL AND THE BOLTS ARE CLOSE AS POSSIBLE TO THE I-BEAM (FIGURE 3)

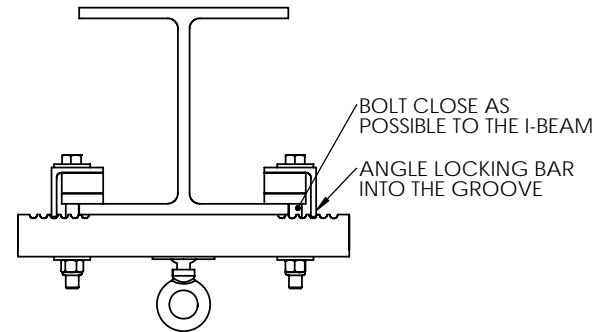


FIGURE 3

4. ATTACH SELECTED SUSPENSION CABLES TO THE EYEBOLT USING LOAD RATED HARDWARE (FIGURE 4)

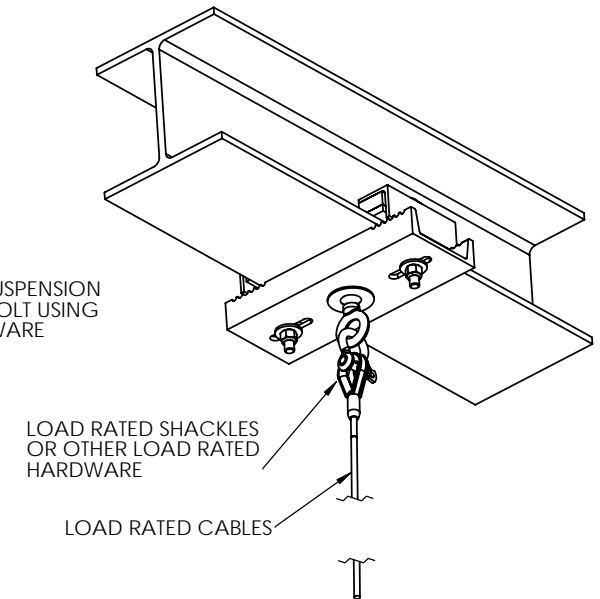


FIGURE 4

REVISIONS				
REV.	DESCRIPTION	DRAWN	DATE	APPROVED

ATM
FLY-WARE®