

BC7-12-GE

GIMBALED STYLE BEAM CLAMP

BEAM-WARE



GIMBALED BEAM CLAMP

Standard, pre-engineered channel style beam clamps anchor to a building's beam structure to provide a safe and predictable method of rigging grids, clusters, arrays and other objects.

The Gimbaled Style beam clamp is unique in that it offers a gimbaled swivel eye that accommodates up to 20 degrees of off-axis side loading in any direction without losing any of its working load.

The gimbaled feature is especially predictable when bridling suspended objects from wire rope, rigging chain, span sets, etc.

The body of the clamp mounts flush underneath the building's I-beams and side clamps adjust to accommodate beam flange widths between 7" and 12".



STANDARD FEATURES:

- ▶ Accommodates thicker beam flanges
- ▶ Gimbaled hang point swivels 360°
- ▶ Hang point retains same WLL from 0° - 20°
- ▶ Wide body provides extra clamp stability
- ▶ Non loosening fasteners

OPTIONAL ACCESSORIES:

- ▶ See Wire Rope Datasheet
- ▶ See Rigging Components Datasheet

SPECIFICATIONS:

Materials: Alloy Steel Components

Width: 7" to 12" / 178mm to 305mm

Color: Black

Design Factor: 5:1

Vertical WLL*: 2000 lbs / 908 Kg. WLL (Vertical)

20 DEG. WL: 2000 lbs / 908 Kg. WLL

45 DEG. WL: 1200 lbs / 545 Kg.

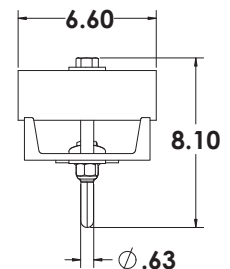
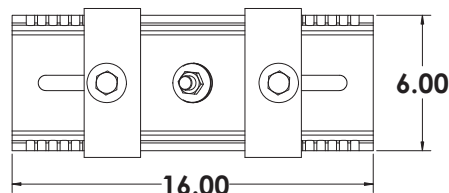
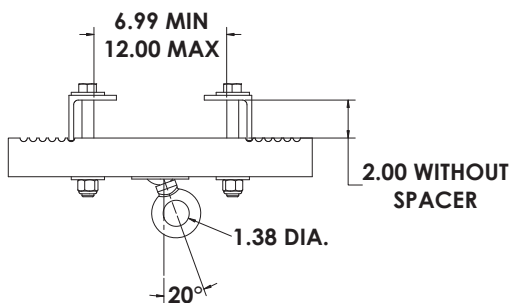
90 DEG. WL: Do Not Exceed 65°

* Working Load Limit: WLL

PACKAGE CONTENTS:

- 1 pc** 16" Channel
- 2 pcs** Lock/Angle Bracket
- 1 pc** Eyebolt, 5/8"
- 1 pc** Swivel Ball
- 5 pcs** Flatwasher, 5/8
- 2 pcs** Nyloc Nut, 5/8-11
- 1 pc** Hex Nut, 5/8-11
- 2 pcs** Hex Bolt, 5/8-11X5.5" Long
- 2 pcs** 1/4 spacer
- 2 pcs** 1/2 spacer
- 2 pcs** 1.00 spacer

DIMENSIONS:



Rated for indoor use.

ALWAYS INSTALL SAFETY CABLES

WARNING: Mounting and/or suspension of audio and video equipment requires experienced professionals. Improperly installed loudspeakers can result in property damage, personal injury and/or liability to the installing contractor.