

BOSE-LTIII-RBL

LT Series LTIII Large Rear Bracket Installation Instructions

The BOSE-LTIII-RBL is a rear bracket adapter to provide a single pull back point for the Bose LT 9400, 9403, 6400, 6403 Series loudspeakers. The bracket is equipped with a pull back tail with a hole for a 1/4" to 3/8" shackle.

Important: Rigging overhead system requires professional experience. **Improperly installed equipment can result in property damage, personal injury, death and/or liability to the installing contractor.** Do not suspend if in doubt about the integrity of the structure.

Caution: Due to the wide variety of structures, environments, materials and rigging methods, the installing contractor should exercise good judgment in selecting the proper mounting area and hardware.

Follow these instructions for the most efficient and safest mounting results.

Package Contents:

- 1 pc. BOSE-LTIII-RBL bracket
- 1 pc. Instruction sheet, 8.5x11
- 2 pcs. Hex bolt, 3/8-16X1.5, G8, blk
- 2 pcs. Split washer, 3/8"



Step 1:

For pull back, attach the rear bracket to the bottom rear of the speaker using two 3/8-16x1.5 hex bolts and 3/8 split washers (Figure 1).

Step 2:

Attach a load rated pull back cable or chains using load rated shackles to the tail of the bracket (Figure 2).

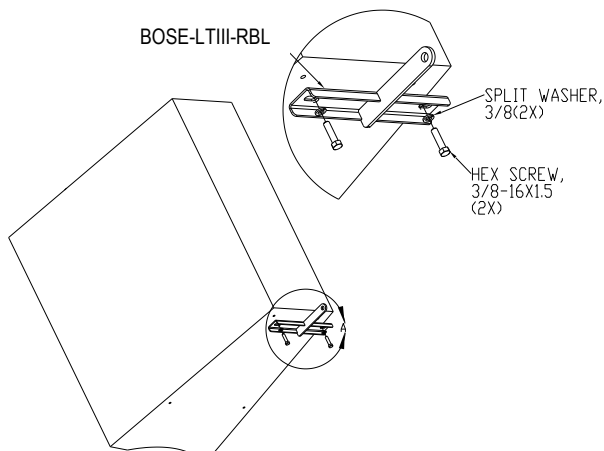


Figure 1

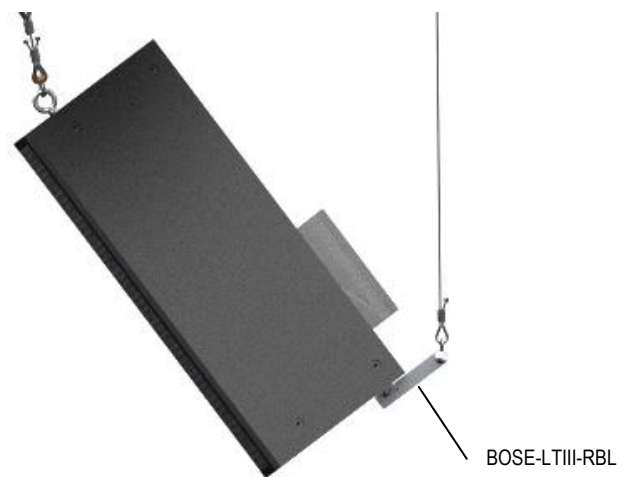


Figure 2