

# Bumper-Ware

OVERHEAD LOUDSPEAKER CLUSTERING GRID

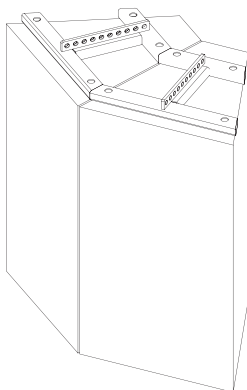
BUMPER-WARE



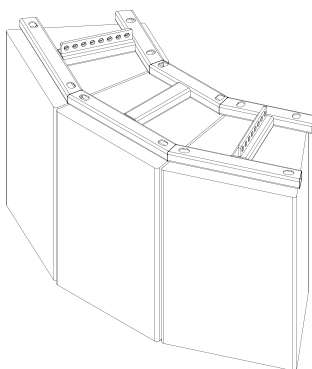
The Bumper-Ware is a proven tight-pack rigging solution for loudspeaker cabinets for both permanent and live sound applications.

Each Bumper-Ware frame is designed to cluster specific cabinets, including sub frequency cabinets, into specific acoustic geometries. The frames join cabinets together as one solid member making it easy and safe to fly and aim the cluster.

Bumper-Ware frames are available in two, three and four wide configurations making it simple to plan the acoustic coverage of any venue or portion of the venue.



**Two Way Bumper**



**Three Way Bumper**

## SPECIFICATIONS:

**Material:** Structural steel tube

**Finish:** Powder Coat Paint

**Color:** Black

**WLL:** Minimum 5:1

**Pack Count:** 1/carton