

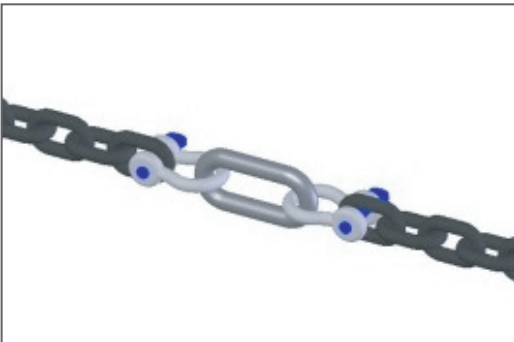
EL-1000

1" OVAL SHAPED END LINK

END LINK



Weldless endlinks are produced from a single piece of metal eliminating the possibility of weld failure. This high strength load-rated link is ideal for use in coupling multiple span sections together, such as wire rope and rigging chains. Multiple sections of wire rope and rigging chain link together, using shackles. Its oval shape is designed for in-line use and is not to be side loaded.



SPECIFICATIONS:

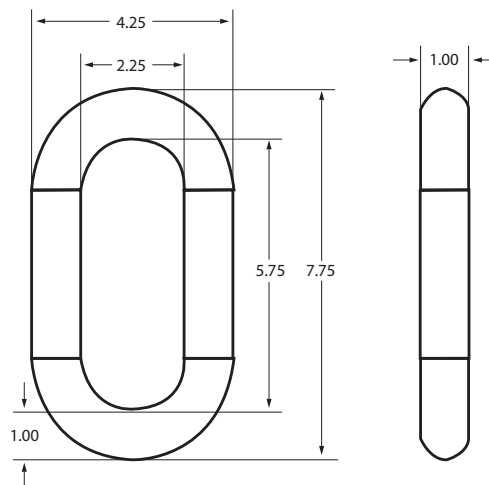
Diameter: 1"

Materials: Stainless and Galvanized Steel Components

Color: Silver

Design Factor: 5:1 ratio

WLL: 10400 lb / 4727 Kg



ALWAYS INSTALL SAFETY CABLES

WARNING: Mounting and/or suspension loudspeakers requires experienced professionals. Improperly installed loudspeakers can result in property damage, personal injury and/or liability to the installing contractor.