

# Eyebolts & Eyenuts

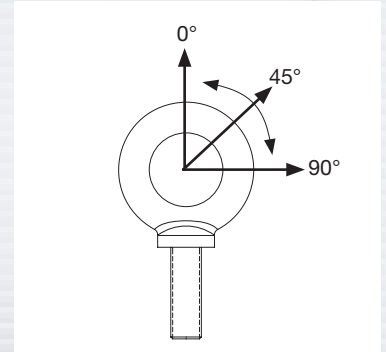
DROP FORGED STEEL

LOAD-RATED



Drop forged shoulder eyebolts and eyenuts provide very strong and predictable suspension points for overhead rigging systems. Forged components provide a consistent, safe and load rated fastener when reliability counts. These components are produced in the United States.

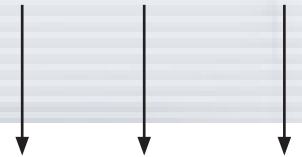
Load rating values are calculated with a 5:1 safety (design) factor. To calculate the approximate ultimate failure load, multiply the indicated working load limit (WLL) by five. Dimensions are approximate and will vary slightly between manufacturing runs. Color options include bright zinc plate or black zinc plate.



Rated for outdoor use.



Rated for indoor use.



## DROP FORGED SHOULDER EYEBOLTS AND EYENUTS DIMENSIONAL AND LOAD CHART

P/N	Color/Desc.	Thread	A	B	C	D	E	F	0°WLL	45°WLL	90°WLL
EB-025	Black Eyebolt	¼-20	¼"	1.0"	1.0"	1.2"	.80	2.375"	500/227	125/57	100/45
EB-025-S	Zinc Eyebolt	¼-20	¼"	1.0"	1.0"	1.2"	.80	2.375"	500/227	125/57	100/45
EB-315	Black Eyebolt	5/16-18	5/16"	1.125"	1.125"	1.50"	.90"	2.75"	900/409	225/102	180/82
EB-315-S	Zinc Eyebolt	5/16-18	5/16"	1.125"	1.125"	1.50"	.90"	2.75"	900/409	225/102	180/82
EB-375	Black Eyebolt	3/8-16	3/8"	1.50"	1.50"	1.75"	.9375"	3.25"	1400/636	350/175	280/127
EB-375-S	Zinc Eyebolt	3/8-16	3/8"	1.50"	1.50"	1.75"	.9375"	3.25"	1400/636	350/175	280/127
EB-375-2.5	Zinc Eyebolt	3/8-16	3/8"	2.5"	1.50"	1.50"	.75"	4.125"	1400/636	350/175	280/127
EB-375-4.5	Zinc Eyebolt	3/8-16	3/8"	4.50"	2.0"	1.50"	.70"	6.125"	1400/636	350/175	280/127
EB-500	Black Eyebolt	½-13	½"	1.50"	1.50"	2.125"	1.188"	4.0"	2600/1182	650/295	520/236
EB-500-S	Zinc Eyebolt	½-13	½"	1.50"	1.50"	2.125"	1.188"	4.0"	2600/1182	650/295	520/236
EB-500-5.5	Zinc Eyebolt	½-13	½"	5.5"	3.0"	2.0"	.9375"	7.75"	2600/1182	650/295	520/236
EB-625	Zinc Eyebolt	5/8-11	5/8"	6.0"	3.0"	2.4"	1.20"	8.50"	4000/1818	1000/455	-

## METRIC BOLTS

P/N	Color/Desc.	Thread	A	B	C	D	E	F	0°WLL	45°WLL	90°WLL
EB-M6	Zinc Eyebolt	M6 x 1.0	6	26	26	30	18	60	462/210	115/52	92/42
EB-M8	Zinc Eyebolt	M8 x 1.25	8	28	28	36	22	70	992/451	248/113	198/90
EB-M10	Zinc Eyebolt	M10 x 1.50	10	36	36	46	26	92	1628/740	407/185	325/148
EB-M10-18*	Zinc Eyebolt	M10 x 1.50	10	18	18	42	24	62	1628/740	407/185	325/148

## EYENUTS

P/N	Color/Desc.	Thread	A	B	C	D	E	F	0°WLL	45°WLL	90°WLL
EN-315	Zinc Eyenut	5/16-18	5/16"	1.625"	.9375"	2.063"	1.13"	-	840/382	-	-
EN-375	Zinc Eyenut	3/8-16	3/8"	1.60"	1.0"	2.0"	1.188"	-	1240/564	-	-
EN-500	Zinc Eyenut	½-13	½"	2.50"	1.438"	3.25"	1.88"	-	2240/1018	-	-
EN-625	Zinc Eyenut	5/8-11	5/8"	-	-	-	-	-	3600/1636	-	-

### ALWAYS INSTALL SAFETY CABLES

**WARNING:** Mounting and/or suspension of audio and video equipment requires experienced professionals. Improperly installed loudspeakers can result in property damage, personal injury and/or liability to the installing contractor.