

FP-AC-2212-2X1

(400 lb. WLL)

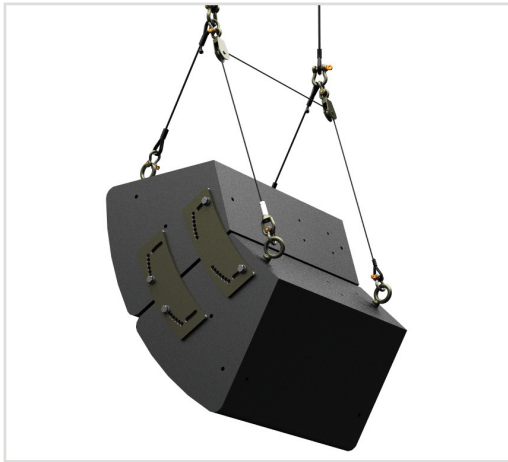
CLUSTER PACK PLANAR ARRAY KIT

FASPAC™



Clustering and flying AC series loudspeakers is easy, safe and very predictable. This planar array suspension kit joins two AC-2212 cabinets together to be flown as one, tight-packed for near field placement or splayed out for further distances from the audience.

Two top plates and two bottom plates with pull back points come in the kit. Load rated eyebolts provide the actual suspension by anchoring into the cabinet's threaded attach points. High strength bolts are provided to the secure joiner plates.

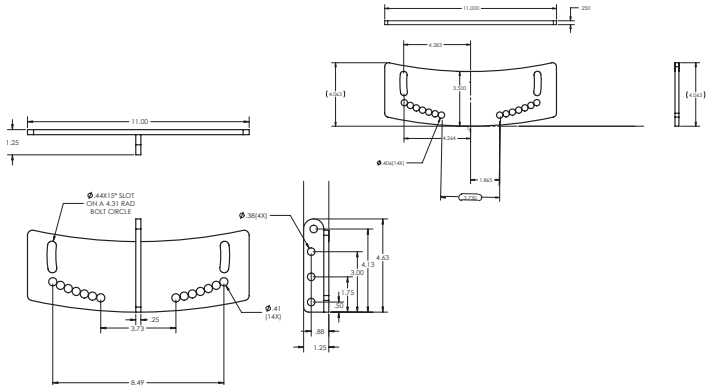


SPECIFICATIONS:

- Material:** Structural Steel
- Finish:** Powder coat
- Colors:** Black
- Design Factor:** 5:1 ratio
- Working Load Limit:** 400 lb./ 182Kg.
- Shipping Weight:** 10 lb./ 4.5Kg.

PACKAGE CONTENTS:

- 1pc** Suspension Joiner Plate
- 3pcs** Suspension Joiner Plates
- 2pcs** Eyebolt, M10X35mm
- 1pc** Hardware Kit



Rated for indoor use.

ALWAYS INSTALL SAFETY CABLES

WARNING: Mounting and/or suspension of audio and video equipment requires experienced professionals. Improperly installed loudspeakers can result in property damage, personal injury and/or liability to the installing contractor.