

# FP-CX12-3X1

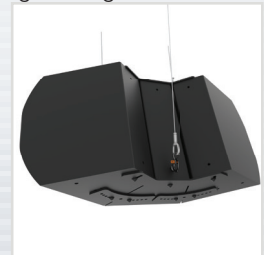
(400 lb. WLL)

FULCRUM CLUSTER PACK PLANAR ARRAY KIT

FASPAC™



Clustering and flying CX series loudspeakers is easy, safe and very predictable. This planar array suspension kit joins three CX12 cabinets together to be flown as one, tight-packed for near field placement or splayed out for further distances from the audience. Four front joiner plates and two rear joiner plates come in the kit. Load rated eyebolts provide the actual suspension by passing through the front plates and anchoring into the cabinet's rigging points. High strength bolts are provided to secure the joiner plates.



## STANDARD FEATURES:

- ▶ Top and bottom load-rated clustering plates
- ▶ Adjustable splay angles
- ▶ Rigging horizontally or vertically

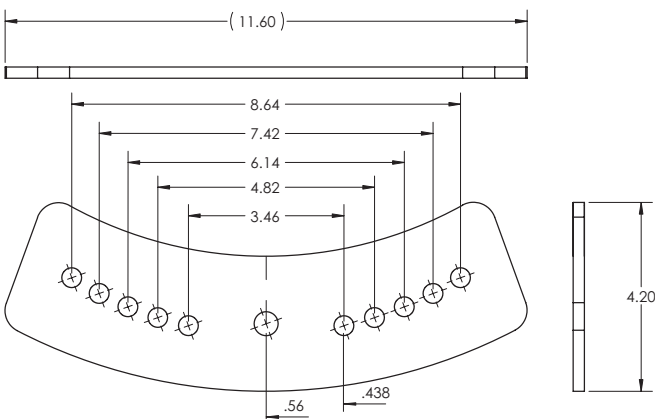
## SPECIFICATIONS:

**Material:** Structural Steel Alloy  
**Finish:** Powder Coat  
**Color:** Black  
**Design Factor:** 5:1 ratio  
**WLL:** 400 lb. / 182 Kg.  
**Shipping Weight:** 28 lb. / 12.7 Kg.

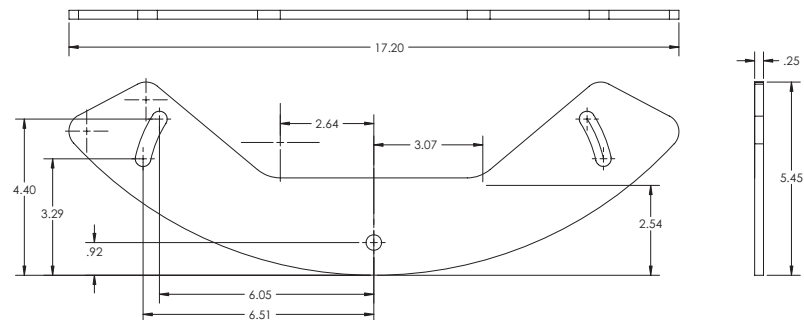
## PACKAGE CONTENTS:

**2pcs** Rear Joiner Plates  
**4pcs** Front Joiner Plates  
**1pcs** Eyebolt, M10X1.5-35mm  
**2pcs** Eyebolt, M10X1.5-50mm  
**1pc** Hardware Kit

Front Joiner Plate



Rear Joiner Plate



### ALWAYS INSTALL SAFETY CABLES

**WARNING:** Mounting and/or suspension of audio and video equipment requires experienced professionals. Improperly installed loudspeakers can result in property damage, personal injury and/or liability to the installing contractor.