

The FP-FRIS2-3X1 planar array kit give designers, contractors and audio consultants the ability to create a three wide tight pack configurations using two FRI152+ speakers and one FRI181S subwoofer. The FasPac™ provides a method of flying a tight pack array while offering the capability of allowing cabinets to be adjusted relative to each other to find the optimum sound directivity. A series of holes are provided to easily adjust the splay angle from 0° to 22.5° at an increment of 2.5 degree.

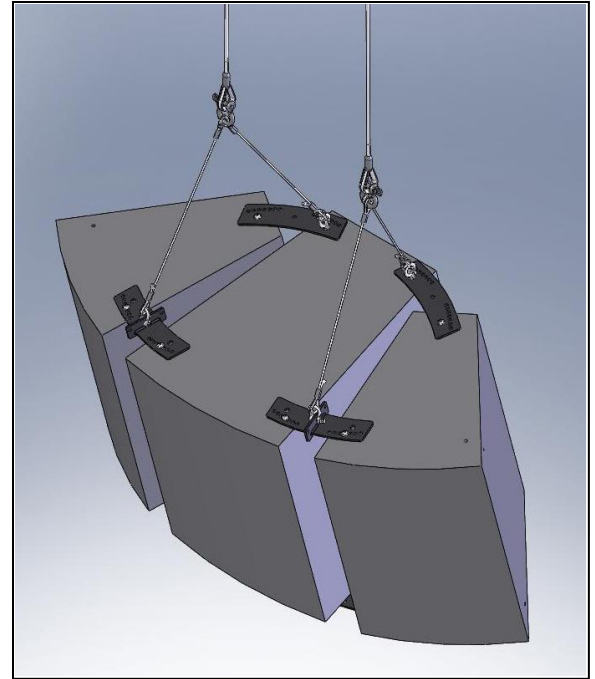
**Installing speakers must be performed by experienced professionals.** If in doubt about the integrity of the structure you are mounting or suspending to or not sure about the proper hardware or method to use, consult a certified rigging company.

**Package contents:**

6 pcs	6-0101 Front Joiner Plate
2 pcs	6-0103 Suspension plate
16 pcs	Btnd sckt screw, 3/8-16x1.5" long
16 pcs	3/8 flat washers

**CAUTION: PLEASE READ CAREFULLY BEFORE PROCEEDING**

Due to the wide variety of building structures, materials and suspension methods, these instructions assume that the installing contractor/installer will exercise good judgment in selecting the proper mounting area and hardware. As a guide, the installation, when complete, should be capable of supporting at least 5 times the actual load. Follow building code requirements to safely suspend the speakers to the building structure



**Step 1.**

Flip speakers so that the bottom is facing up. Arrange speaker so that the Fri181 is in between the FRI152+. Unscrew existing speaker screws and discard (Figure 1).

**Step 2.**

Determine the splay angle of the speaker and the holes to use on the front joiner plate (Figure 2).

**Step 3.**

Install two rear joiner plate on the rear inserts to connect the side speaker with the subwoofer using the slot on the plate with the provided screws and washers (Figure 1). Install two front joiner plate on the two front inserts using the corresponding holes for the appropriate splay angles using the provided 3/8 screws and washers (Figure 2). Make sure the markings on the plates are facing up. Do not tighten screws; leave it snug until all plates are in position.

**For steep angle configuration install the eyebolts on the rigging points of the subwoofer (FRI181s) (Figure 3).**

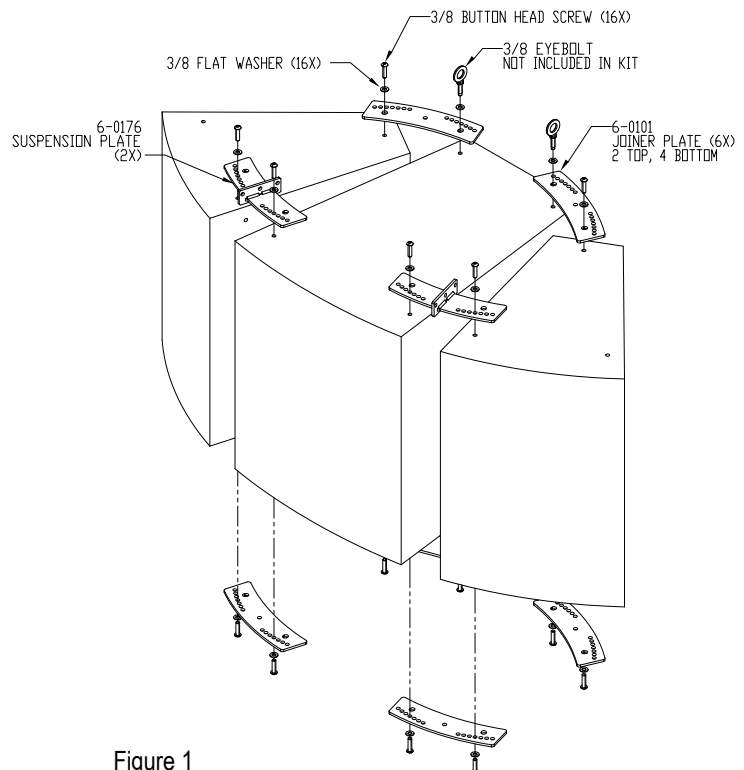


Figure 1

**Step 4.**

Slowly flip the speaker assembly so that the tops of the speakers are facing up. Unscrew the speaker screws and discard.

**Step 5.**

Install two rear joiner plate on the rear inserts to secure the side speakers with the subwoofer. Use the provided screws and washers on the side speakers. Install the eyebolts on the subwoofer for pull back points (Figure 1).

**Note:**

*For steep angles the eyebolts should be install on the bottom rear end of the subwoofer (Figure 3).*

**Step 6.**

Install the suspension plate on the two front inserts using the same holes as on the bottom plate. Use the provided 3/8 screws and washer to secure the plate (Figure 1).

**Step 7.**

When all plates are in positioned, tighten all screws permanently.

**Step 8.**

To suspend the cluster, use the two suspension bars from the suspension plates. Use the 2 eyebolts on the subwoofer as pull back point to adjust the tilt angle of the cluster (See Photo).

**For steep angles, use the eyebolts on the bottom rear end of the subwoofer (center speaker) as a pull back point to adjust the tilt angle of the cluster (Figure 3).**

**Step 9.**

Check all hardware connections before hoisting cluster.

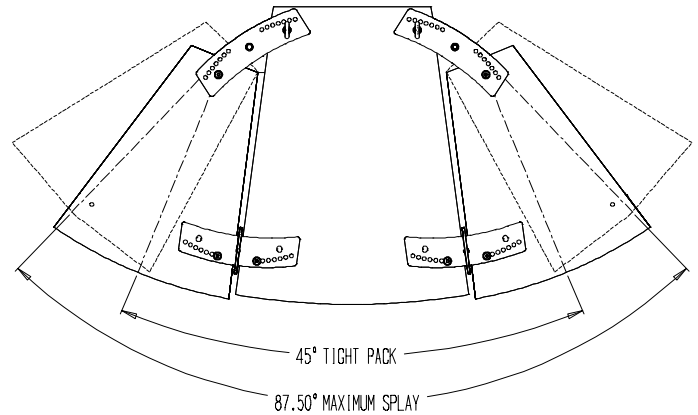


Figure 2

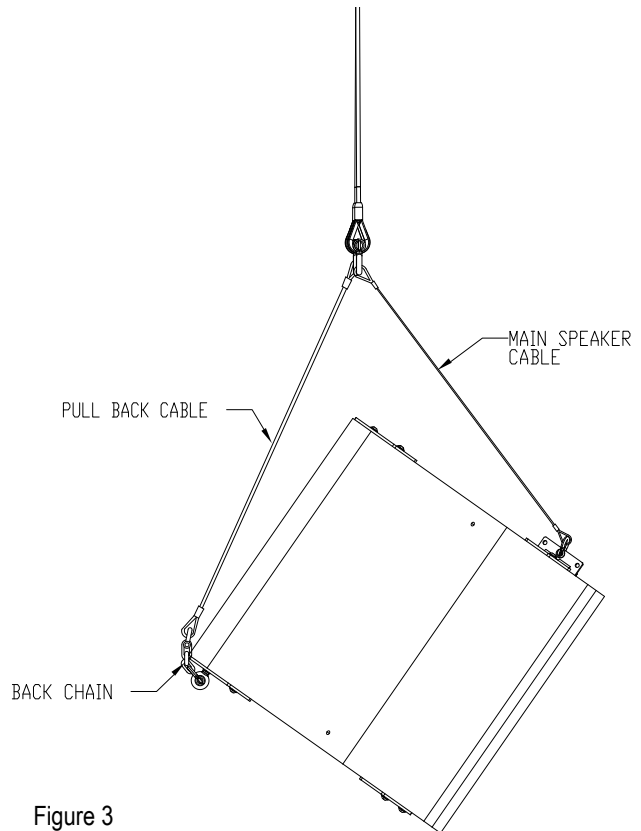


Figure 3