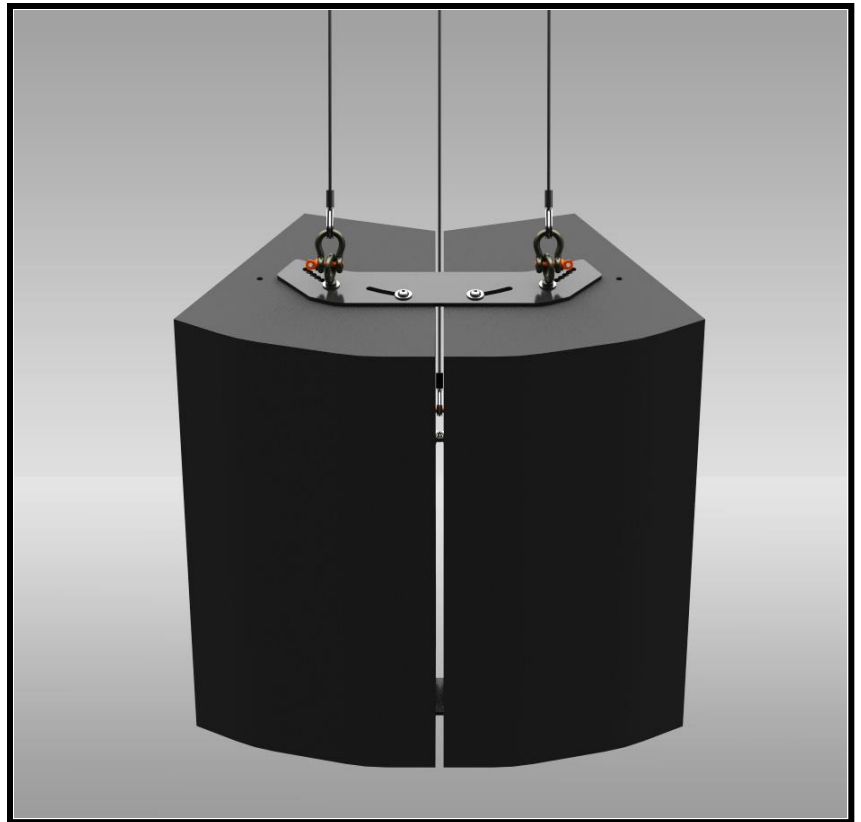


The FP-MK2-2X1 planar array kit gives designers, contractors and audio consultants the ability to join two EAW MK2 Series speakers in a tight pack or up to 60° splayed configurations. The FP-MK2-2X1 Kit allows the speaker cabinets to be adjusted relative to each other to achieve the optimum sound directivity. A series of holes with angle indicator marks are provided to easily adjust the splay angle from tight pack to 60° at an increment of 2.5° between speakers.

Installing speakers must be performed by experienced professionals. If in doubt about the integrity of the structure you are mounting or suspending to or not sure about the proper hardware or method to use, consult a certified rigging company.

Package contents:

- 2 pcs 7-3210 Joiner Plate
- 2 pcs Eyebolt, 3/8-16x2.5
- 2 pcs Eyebolt, 3/8-16x1.25
- 6 pcs Button head socket screw, 3/8-16x1.5
- 10 pcs Flat washer, 3/8



CAUTION: PLEASE READ CAREFULLY BEFORE PROCEEDING

Due to the wide variety of building structures, materials and suspension methods, the installing contractor/installer should use good judgment in selecting the proper mounting area and hardware. As a guide, the installation, when complete, should be capable of supporting at least 5 times the actual load. Follow building code requirements to safely suspend the speakers to the building structure

Step 1:

Remove and discard the screws from the top and bottom of the speaker that will be used for attaching joiner plate.

Step 2: Install Joiner Plate

Flip the speakers so the bottom is facing up. Position speakers side by side. Determine the desired splay angle between speakers (Figure 1.) Attach a joiner plate to the bottom side of speakers using the supplied 3/8" screws and flat washers (Figure 2.) Do not permanently tighten until all plates are installed.

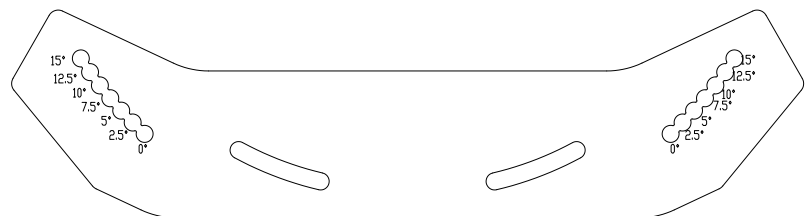


Figure 1

Step 3:

Slowly flip the speakers so the top is facing up, attach the other joiner plate to the top with two button head socket screws and flat washers through the joiner plate's slot and into the inner/top edge rigging holes of the speaker. Install the two 3/8x2.5" long eyebolts, and flat washers on the designated holes for the selected splay angles. Use the same holes as on the bottom plate (Figure 2.)

Step 4:

Install two 3/8x1.25" long eyebolts with flat washers to the lower back rigging points of speakers for pull back attachment (Figure 2.)

Step 5:

Use the eyebolts on top of the speakers for primary suspension points. Use the rear eyebolts for pull back points to adjust the tilt angle of the cluster. Bridle the two pull back points if necessary to create a single pull back cable (Figure 3, Figure 4.)

Step 6:

Tighten all bolts permanently.

Step 7:

Check all hardware connections before hoisting cluster.

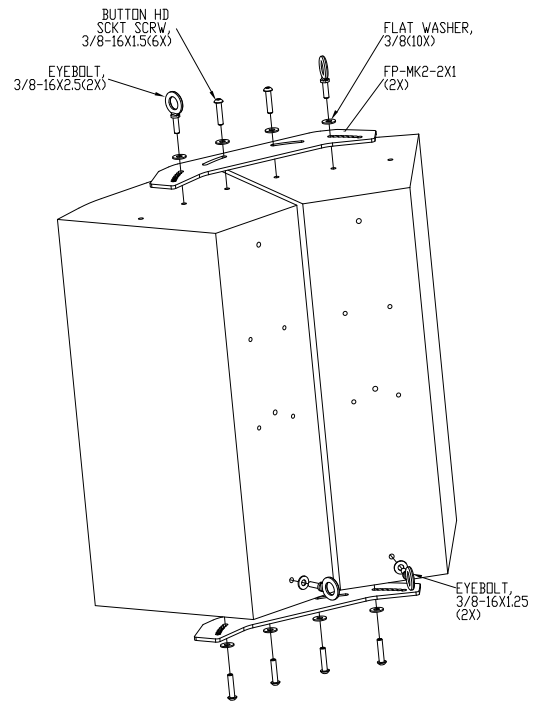


Figure 2

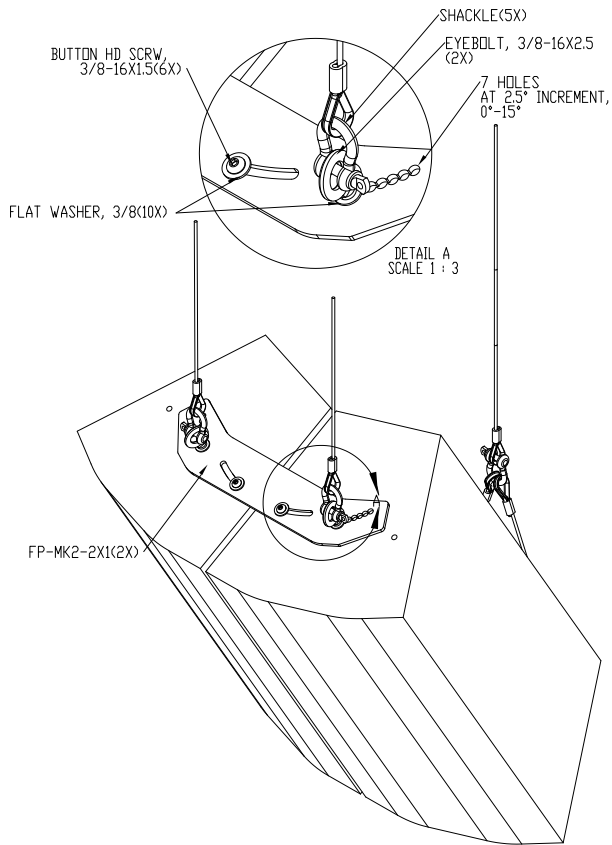


Figure 3

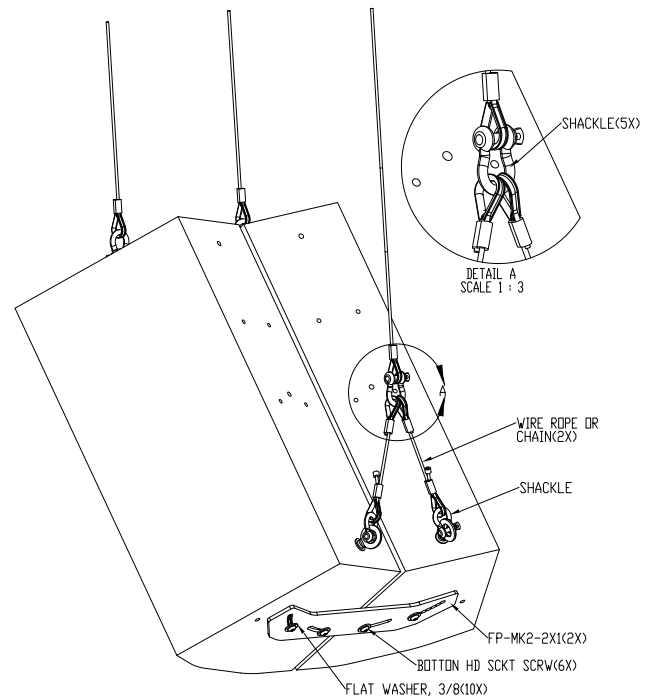


Figure 4