

FP-MK2-2X1

(400 lb. WLL)

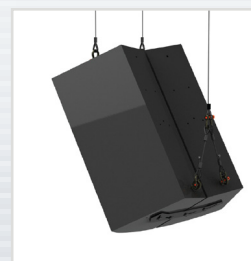
CLUSTER PACK PLANAR ARRAY KIT

FASPAC™



Clustering and flying MK2 series loudspeakers is easy, safe and very predictable. This planar array suspension kit joins two MK cabinets together to be flown as one, tight-packed for near field placement or splayed out for further distances from the audience.

Two plates come in the kit, one top and one bottom, with load rated eyebolts that provide the actual suspension. They pass through the plate and into the cabinet's threaded attach points.



SPECIFICATIONS:

Material: Structural Steel Alloy

Finish: Powder Coat

Color: Black

Design Factor: 5:1 ratio

WLL: 400 lb. / 182 Kg.

Shipping Weight: 10 lb. / 4.5 Kg.

* Suspension & bridle cables sold separately

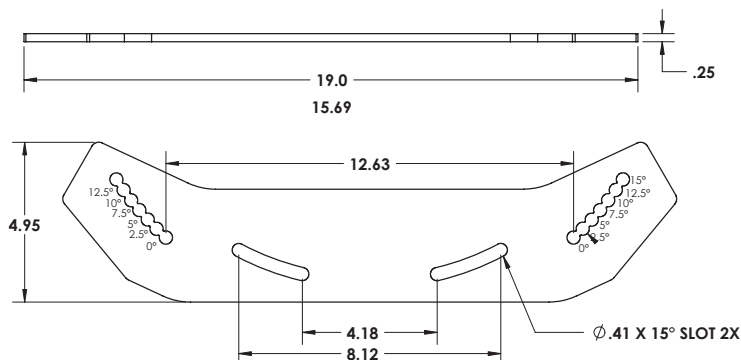
PACKAGE CONTENTS:

2pcs Joiner Plates

2pcs Eyebolt, 3/8-16x2.5

2pcs Eyebolt, 3/8-16x1.25

1pc Hardware Kit



Rated for indoor use.

Adaptive Technologies Group
1635 E. Burnett Street | Signal Hill, CA 90755 USA
Ph: 562.424.1100 | Fax: 562.424.3520
www.adapttechgroup.com



ALWAYS INSTALL SAFETY CABLES

WARNING: Mounting and/or suspension of audio and video equipment requires experienced professionals. Improperly installed loudspeakers can result in property damage, personal injury and/or liability to the installing contractor.