

FP-PD5200-3X1SS

(600 lb. WLL)

CLUSTER PACK PLANAR ARRAY KIT

FASPAC™



The FP-PD5200-3X1-SS stainless steel planar array kit gives designers, contractors and audio consultants the ability to create three PD5200 (WRC, WRX) or PD5212 (WRC, WRX) series speakers in a tight pack or splayed configurations. The FP-PD5200-3x1-SS kit provides a method of flying a planar or line array configuration while offering the capability of allowing cabinet's splay angle to be adjusted relative to each other to find the optimum sound directivity. A series of holes are provided to easily adjust the splay or tilt angle from 30° to 60° at an increment of 2.5° between speakers.



STANDARD FEATURES:

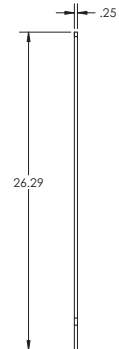
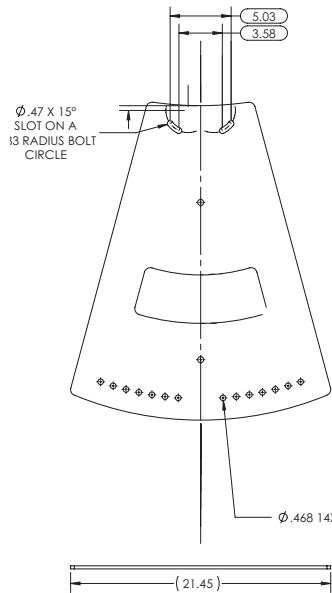
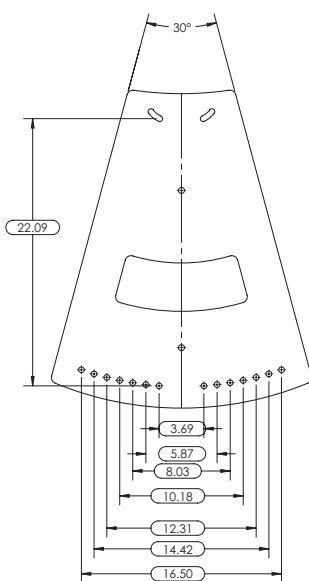
- ▶ Top and bottom load-rated clustering plates
- ▶ Adjustable splay angles
- ▶ Rigging horizontally or vertically

SPECIFICATIONS:

Material: Structural Steel
Finish: Powder Coat
Color: Black
 Design Factor: 5:1 ratio
WLL: 600 lb. / 273 Kg.
Shipping Weight: 100 lb. / 48.5 Kg.

PACKAGE CONTENTS:

- 4pcs** Joiner Plate, Stainless
- 2pcs** Eyebolt, M10X35m
- 2pcs** Eyebolt, M10X50mm
- 1pc** Hardware Kit



Rated for indoor use.

ALWAYS INSTALL SAFETY CABLES

WARNING: Mounting and/or suspension of audio and video equipment requires experienced professionals. Improperly installed loudspeakers can result in property damage, personal injury and/or liability to the installing contractor.