

FP-STX5-2X1

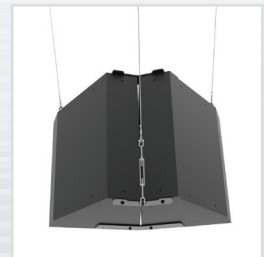
(400 lb. WLL)

RENKUS HEINZ CLUSTER PACK PLANAR ARRAY KIT

FASPAC™



Clustering and flying STX5 loudspeakers is easy, safe and very predictable. This planar array suspension kit joins two STX5 cabinets together to be flown as one. Multiple attach points allow them to be tight-packed for near field placement or they can be splayed out for more distant audiences. A single top plate and bottom plate with a pullback point make up this kit along with load-rated eyebolts that serve as the suspension points from the cabinet's internal braces. High strength bolts are provided to secure the joiner plates to the speakers.



STANDARD FEATURES:

- ▶ Top and bottom load-rated clustering plates
- ▶ Adjustable splay angles
- ▶ Rigging horizontally or vertically

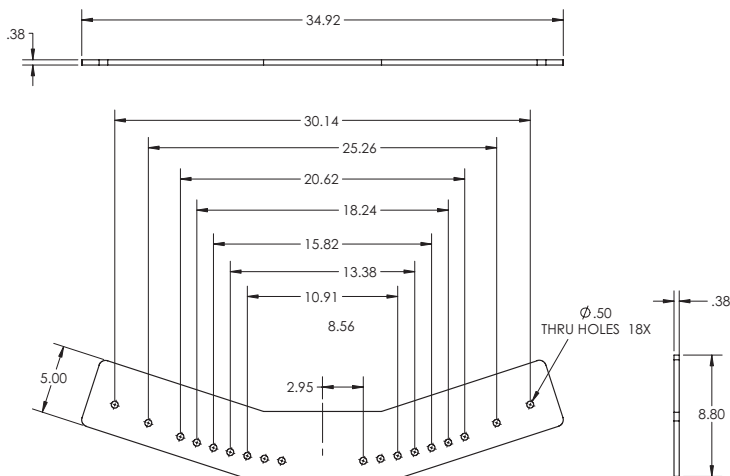
SPECIFICATIONS:

Material: Steel Alloy
Finish: Powder Coat
Color: Black
Design Factor: 5:1 ratio
WLL: 400 lbs

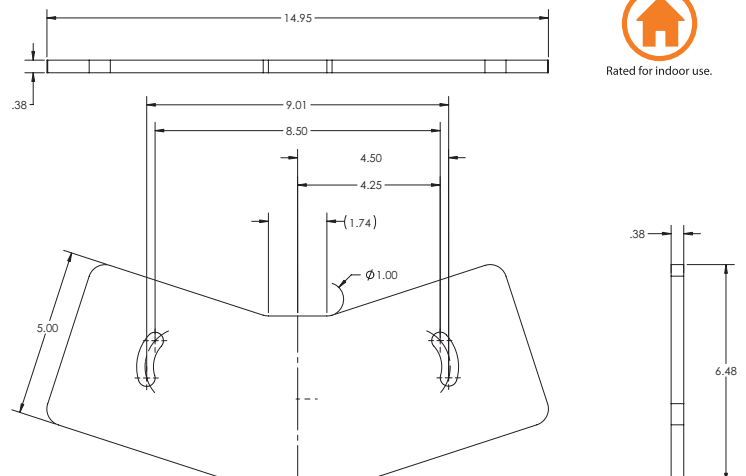
PACKAGE CONTENTS:

2 pcs Front Joiner Plates
1 pc Rear Joiner Plate
1 pc Hardware Kit

Front Joiner Plate



Rear Joiner Plate



ALWAYS INSTALL SAFETY CABLES

WARNING: Mounting and/or suspension of audio and video equipment requires experienced professionals. Improperly installed loudspeakers can result in property damage, personal injury and/or liability to the installing contractor.