

Thank you for selecting Adjustable Wall Mount that quickly and permanently aims and attaches loudspeakers. The independent pan and tilt features allow sound to be aimed precisely to achieve uniform sound coverage.

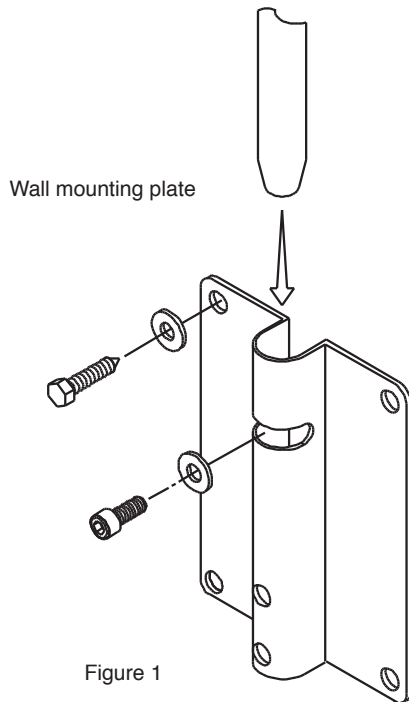


Figure 1

Note to installers

Due to the wide variety of wall structures, materials and mounting methods, these instructions assume that the installing contractor will exercise proper judgment in selecting the mounting area and hardware.

As a guide, the installation, when complete should be capable of supporting 5 to 10 times the actual applied load. Also, always use a back up safety system such as a safety cable.

To assure a trouble free installation, read through and follow these instructions carefully before beginning. If you have doubts about the integrity of the structure you are mounting to or you are not sure about the proper hardware to use, consult a structural and/or hardware specialist.

Be sure that all of the following items are included in this kit before proceeding:

- | | |
|-----------------------|-----------------------------|
| 1 pc Wall mount plate | 1 pc Speaker mount assembly |
| 1 pc Hardware kit | 1 pc Instruction sheet |

Note: Screws and washers to attach speaker to adapter plate are not included

With Pan Angle Option

Step 1: For installation using the pan angle option, attach the wall mounting plate to the wall with the open center slot towards the ceiling using the appropriate hardware for the wall structure (Figure 1).

Step 2: Remove the four screws from the back of the speaker. Attach the speaker mount assembly to the speaker in the indicated orientation and reinsert three of the screws with the included star washers (leave one screw out from the top side of the wall mounting plate). Tighten screws permanently (Figure 2).

Step 3: Lift the assembled speaker with the support arm up to the slotted end of the wall mounting plate. Insert the support arm into the top end of the wall mounting plate barrel. Line up the threaded hole of the support arm with the open slot of the wall mounting plate. Insert the included socket screw and a flat washer, then tighten loosely (Figure 1).

Step 4: To adjust Pan Angle:

Rotate the speaker horizontally until the speaker is aimed into the desired direction then tighten the socket screw at the mounting plate permanently. (Figure 3a and 3b).

Step 5: Tilt the speaker to the desired tilt angle then tighten the side socket screws of the speaker adapter plate. Be sure that the screws have been tightened permanently before releasing the weight of the speaker. If the tilt angle must be further adjusted, **DO NOT PULL ON THE SPEAKER**, rather, firmly hold the speaker in place, loosen the socket screws, reposition the speaker, then retighten the side socket screws permanently into the new position (Figure 4).

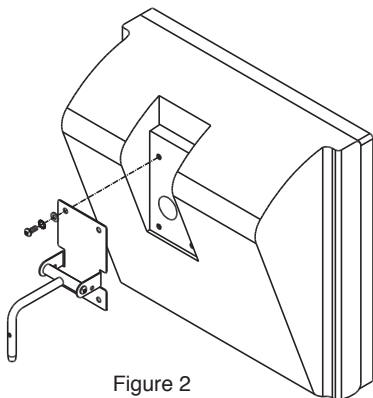


Figure 2

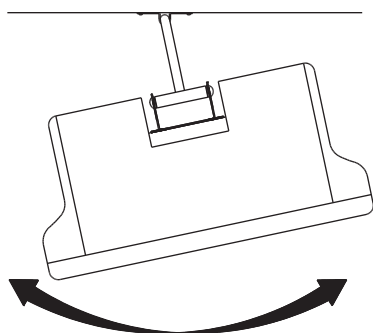


Figure 3a

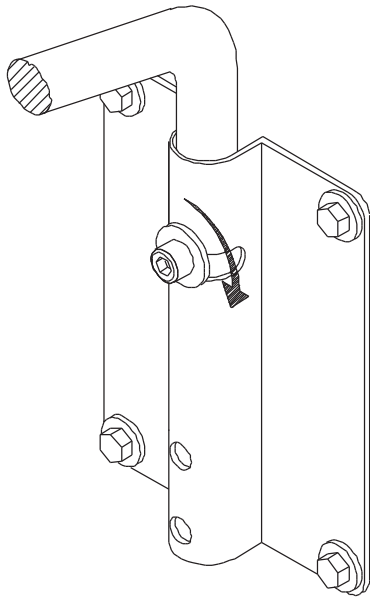


Figure 3b

Step 6: Attach safety cable to one of the upper screws of the speaker adapter plate. Attach the other end to a structural ceiling member.

No Pan Angle Option:

Step 1: For installation where pan angle adjustment are not desired, attach the wall mounting plate to the wall with the open center slot towards the floor using the appropriate hardware for the wall structure (Figure 5a).

Step 2. Remove the four screws from the back of the speaker. Attach the speaker mount assembly to the speaker in the indicated orientation and reinsert three of the screws with the included star washers (leave one screw out from the top side of the wall mounting bracket). Tighten screws permanently (Figure 2)

Step 3. Lift the assembled speaker with the support arm up to the second hole from the top of the wall mounting plate. Insert the support arm into the top end of the wall mounting plate barrel. Line up the threaded hole of the support arm with the second hole from the top. Insert the included socket screw and a flat washer, then tighten permanently (Figure 5a and 5b).

Step 4: Tilt the speaker to the desired tilt angle then tighten the side socket screws of the speaker adapter plate. Be sure that the screws have been tightened permanently before releasing the weight of the speaker. If the tilt angle must be further adjusted, **DO NOT PULL ON THE SPEAKER**, rather, firmly hold the speaker in place, loosen the socket screws, reposition the speaker, then retighten the side socket screws permanently into the new position (Figure 4).

Step 5: Attach safety cable to the upper screw of the speaker adapter plate. Attach the other end to a structural ceiling member.

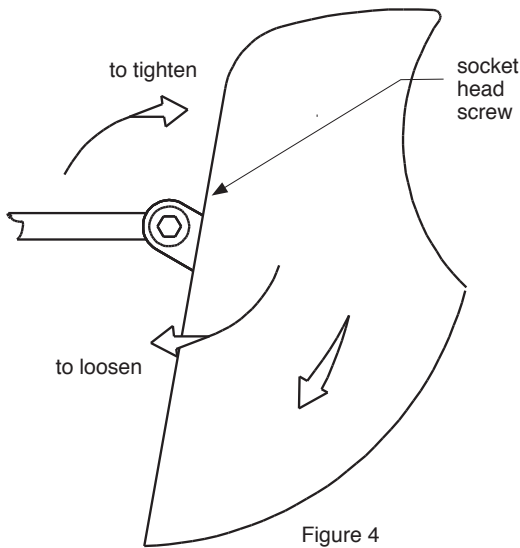


Figure 4

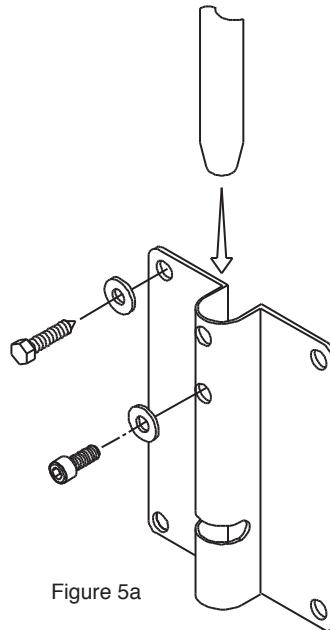


Figure 5a

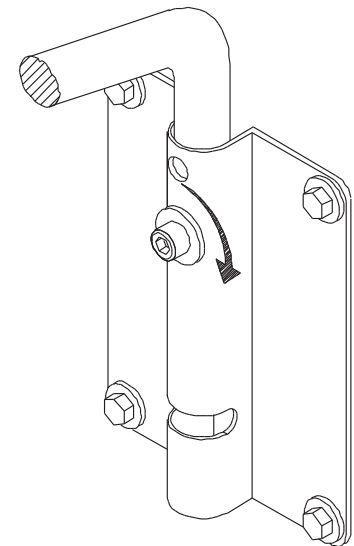


Figure 5b