

MM-024-BT

(60 lb. WLL)

PAN & TILT SPEAKER WALL MOUNT

MULTIMOUNT®



This universal speaker mount supports loudspeakers weighing up to 60 lbs. in a vertical orientation, quickly attaching them to walls, ceilings, overhangs, and other structural members. Speakers are independently aimed and locked in almost any direction or angle through the use of independent pan, tilt, and swivel adjustments.

The MM-024's unique telescoping arm acts as a convenient carrying handle to lift speakers into place then inserts into the wall mounting plate. Once inserted, the mounting plate supports the weight of the speaker leaving the installers hands free to complete the wiring and positioning process.

Tilt adjustments are made at the side of the speaker adapter plate. Panning adjustments are made at the mounting plate and a third rotation is available between the speaker and the support arm.



STANDARD FEATURES:

- ▶ Independent, no drift, pan and tilt controls
- ▶ Infinite locking adjustments
- ▶ No lock memory - no drift
- ▶ Single man speaker installations
- ▶ Optional safety cables available
- ▶ Conforms to multiple mounting hole patterns including 2 x 4-1/4 and 2-3/4 x 5

OPTIONAL ACCESSORIES:

- ▶ PoleStar™ PM-010 pole adapter
- ▶ Safety cables (standard and custom lengths)

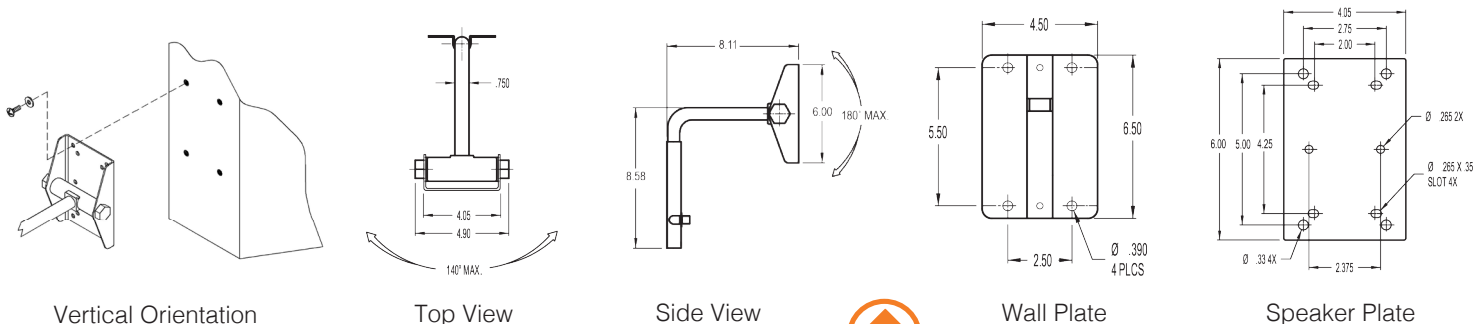
SPECIFICATIONS:

Material: Structural Steel Alloy
Finish: Powder Coat
Color: Black
Tilt Rotation: 180° max.
Swivel Rotation: 140° max.
WLL: 60 lbs. (27.2 Kg) max.
Design Factor: 10:1 ratio
Net WGT: 4 lbs. (1.8 Kg) each
Shipping WGT: 5 lbs. (2.3 Kg) each
Pack Count: 1 units/carton

PACKAGE CONTENTS:

1 pc Mounting Plate
1 pc Speaker Adapter
1 pc Support Arm Assy
1 pc Hardware Kit

DIMENSIONS:



ALWAYS INSTALL SAFETY CABLES

WARNING: Mounting and/or suspension of audio and video equipment requires experienced professionals. Improperly installed loudspeakers can result in property damage, personal injury and/or liability to the installing contractor.