

MultiMount®

MM-HMS100-AP

Adapter Plate Installation Guide

The MultiMount-HMS100-AP adapts the 100x100mm hole pattern of the HMS series surround speakers to the MultiMount wall mount series. This adapter plate will allow the HMS series to use MM-015, MM-016, MM-018 and MM-024.

Warning:

Mounting and/or rigging loudspeakers requires experienced professionals. ***Improperly installed loudspeakers can result in property damage, personal injury, death and/or liability to the installing contractor.***

To assure a trouble free installation, read through and follow these instructions carefully before beginning. If you have doubts about the integrity of the structure you are mounting to or the proper mounting hardware, consult a local structural or hardware specialist.



Be sure that all of the following items are included in this kit before proceeding:

Qty.	Description
1 pc	Speaker Adapter Plate
1 pc	Instruction sheet
1 kit	Hardware kit

Step 1:

Install adapter plate to speaker cabinet using the supplied 1/4-20x1" long flat head socket screws (Figure 1). Tighten permanently.

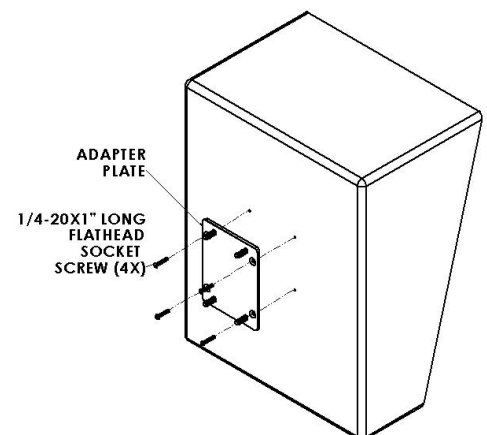


Figure 1

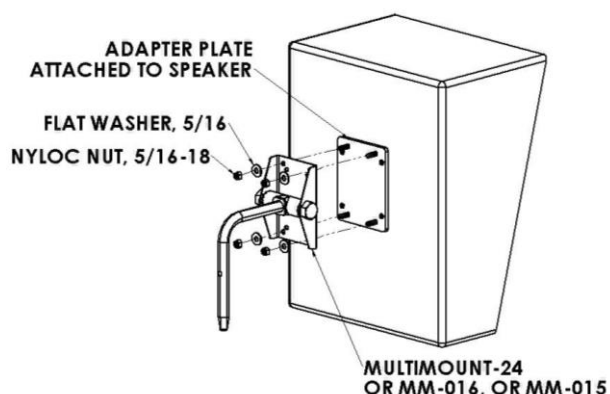


Figure 2

Step 2:

Attach the adapter plate assembly to the MultiMount's adapter plate by inserting the threaded studs into the holes of the speaker adapter plate then secure using the provided 5/16-18 nyloc nut and flat washers (Figure 2).

Step 3: Refer to the MultiMount Wall Mount kit Installation guide to complete the installation.