

# Modular Flying Frame Kit Series

## Lifting Block Installation Instructions

# MVFS-X461-LB

The MVFS-X461-LB is attached to the top rear of the NEC X461UN LCD screen. The Lifting block provides an anchor to attach a handle and used as a lifting device in and out of the traveling case.

**Important:** Rigging and mounting overhead system requires professional experience. **Improperly installed equipment can result in property damage, personal injury, death and/or liability to the installing contractor.** Do not suspend or mount if in doubt about the integrity of the structure.

**Caution:** Due to the wide variety of structures, environments, materials and rigging methods, the installing contractor must exercise good judgment in selecting the proper rigging and mounting area, and hardware.

**Follow these instructions for the most efficient and safest mounting results. Do not exceed the specified working load limit.**

### Package Contents:

- 2 ps. Lifting Block
- 1 pc. Instruction sheet
- 8 pcs M4x22mm long socket cap screw
- 2 pcs M8 T-handle (Wing Knob)

### Step 1:

Attach the lifting block on the top rear corners of the NEC X461UN LCD screen using the provided screws. Tighten screws permanently. The threaded ends on the sides of the lifting block should be on the inner and bottom side and the counter bored holes on the top and outer side of the LCD screen (Figure 1).

### Step 2: Attached Handle

Screw the M8 T-handle bars into the threaded holes of the lifting block. Thread T-handle at least half way in before trying to lift LCD screen (Figure 2)

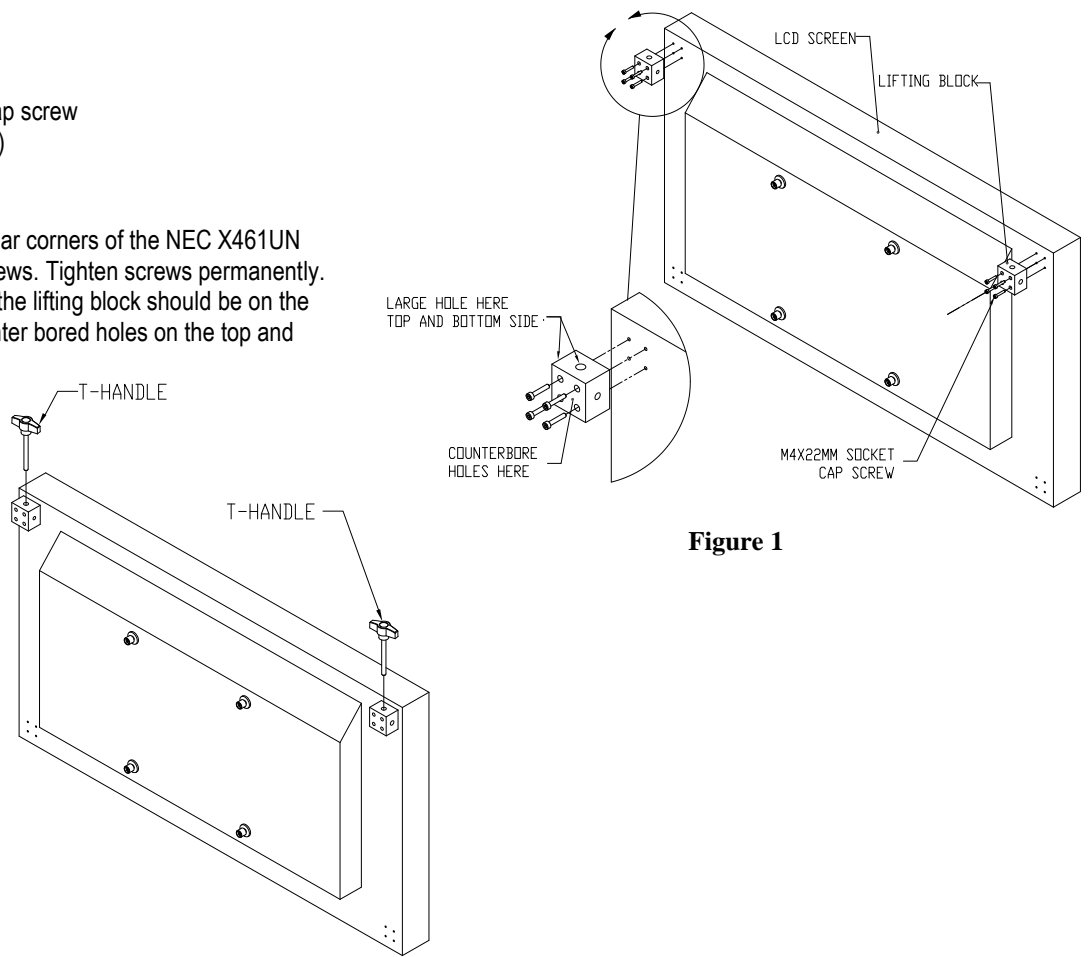


Figure 1

Figure 2