

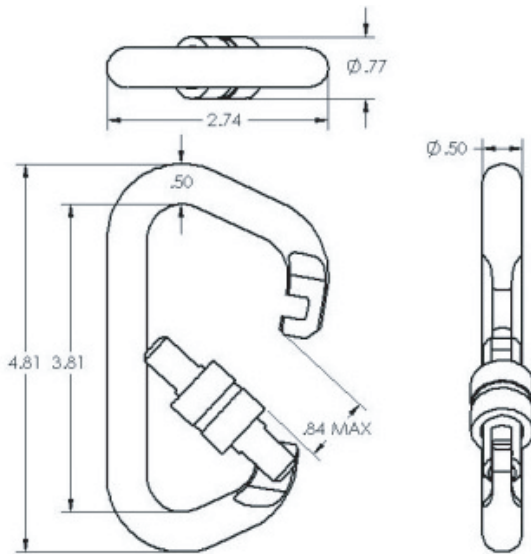
1/2" Carabiners

(1000 lb. WLL)

CARABINER



Carabiners have a high working load limit for its size and used for quick coupling of rigging components and assemblies, mainly for live performances. A spring loaded swing gate locks automatically and its outer housing turns to disable the swing gate, preventing the swing gate from opening. The swing gate opens far enough to accommodate span sets.



SPECIFICATIONS:

Diameter: 1/2"

Color: Gold

Design Factor: 5:1 ratio

WLL: 1000 lb / 455 Kg

Part Number	Diameter	QTY Links	Lengths
RC-0018	9/32", Grade 80	21 Links	18" / 457mm
RC-0024	9/32", Grade 80	27 Links	24" / 610mm
RC-0036	9/32", Grade 80	41 Links	36" / 914mm



Rated for indoor use.

ALWAYS INSTALL SAFETY CABLES

WARNING: Mounting and/or suspension of audio and video equipment requires experienced professionals. Improperly installed loudspeakers can result in property damage, personal injury and/or liability to the installing contractor.