



Thank you for choosing the PoleStar® G-Series dual adapter kit. Used with the PM-24-6UP-G it creates a dual or a triple mounting system. Further, the dual adapter accommodates many standard speaker mounts, including yokes, U-brackets and pan and tilt mounts.

**Important: This kit requires that mounted objects are of equal size and weight.**

#### **Note to installers**

Due to the wide variety of wall structures, materials and mounting methods, the installing contractor must exercise proper judgment in selecting the mounting area and hardware.

As a guide, the installation, when complete should be capable of supporting 5 times the actual applied load. Always use a back up safety system such as a safety cable.

To assure a trouble free installation, read through and follow these instructions carefully before beginning. If you have doubts about the integrity of the structure you are mounting to or you are not sure about the proper hardware to use, consult a structural and/or hardware specialist.

Follow these instructions for the most efficient and safest mounting results.

- 1 pc Dual Adapter, 48"
- 1 pc Panlock Bracket
- 1 Kit Dual adapter hardware kit
- 1 Kit Panlock bracket hardware kit
- 1 pc Instruction sheet

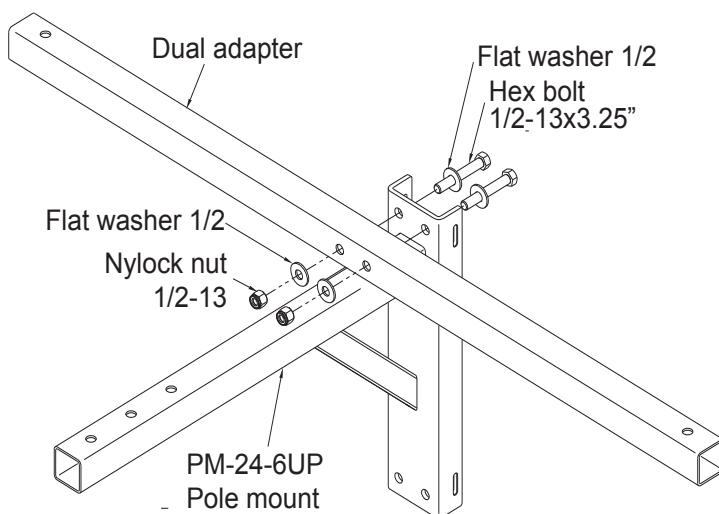


Figure 1

#### **Do not use pneumatic tool to tighten bolts.**

Use loctite to permanently secure nuts to bolts and prevent loosening overtime

Bolt torque: 35-40 foot pounds.

**Do Not Exceed the Working Load Limit of 300 lbs/136 Kg**

#### **Step 1:**

Apply Loctite solution to bolts and nylock nuts

#### **Step 2: Assemble the Dual Adapter Directly to the Pole Adapter**

Attach the dual adapter directly to the two upper holes or on the two holes below the extension arm of the pole mount using the included 3.5" long bolts, flat washers and nylock nuts. Check final horizontal alignment then tighten permanently (Figure 1 and Figure 2).

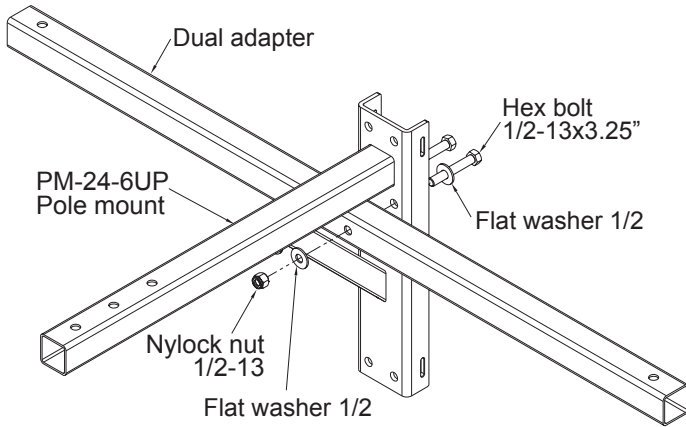


Figure 2

### Step 3:

Attach pole mount and dual adapter assembly to the pole or column using the selected banding strap. See PM-BAND-30, 60, 90 installation instructions

### Step 4: Attach Mounts

Attach mounts (yoke mount, U-brackets, etc) to the ends of the dual adapter using the included bolts, split lock washer, fender washers, nylock nut and rubber friction gasket in between the yoke bracket and the dual adapter. Check final angle then tighten bolts permanently (Figure 3 for dual mount

and figure 4 for triple mount application).

### Step 5:

Attach speakers to U-Brackets/ yoke mounts. Refer to U-bracket or yoke mounts installation instructions (See main illustration).

### Step 6: Install End Caps

After installation, cover the end of the dual adapter with the end caps. Trim end caps if necessary to clear bolts head and washers (Figure 3 and 4).

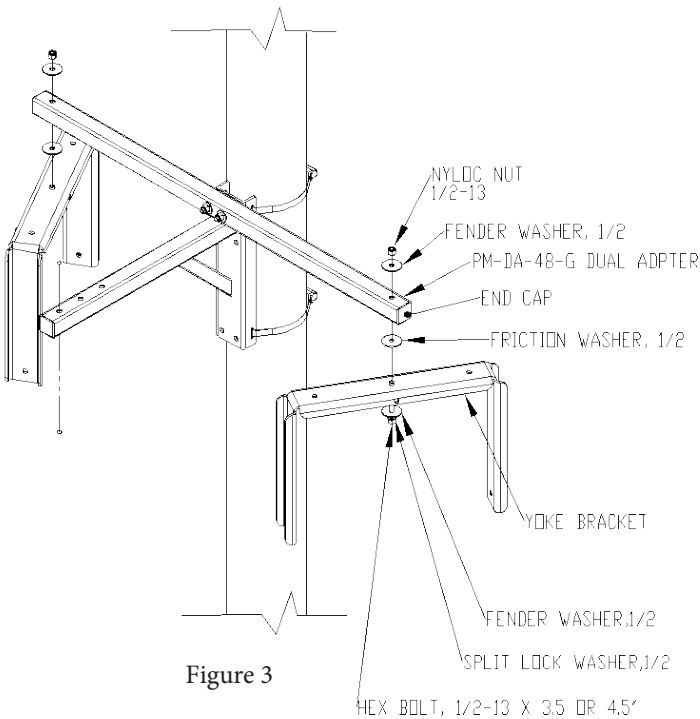


Figure 3

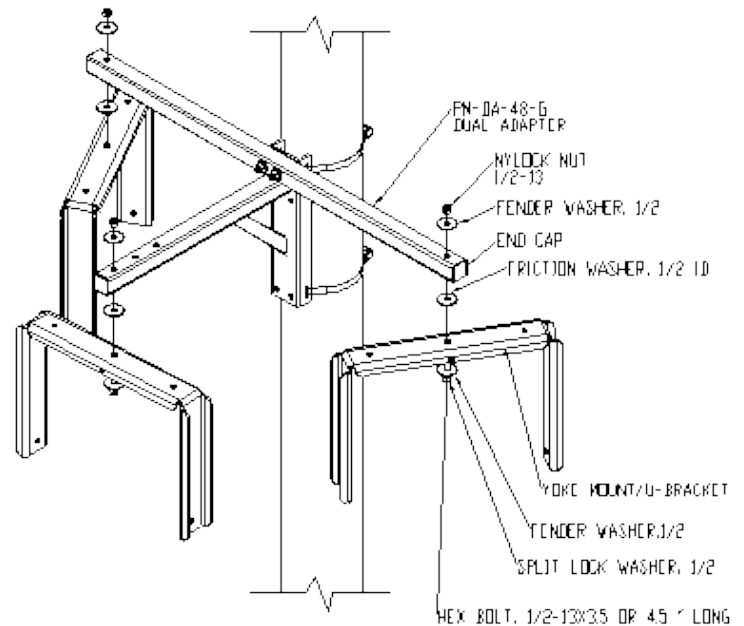


Figure 4

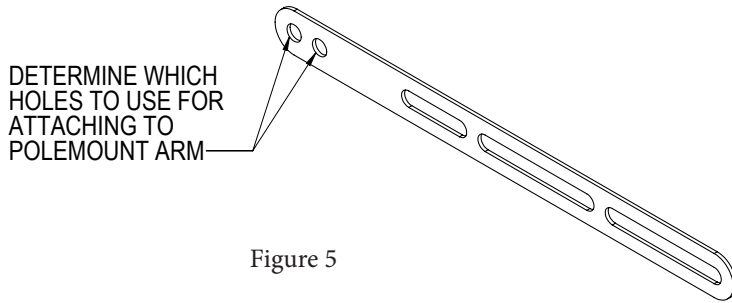


Figure 5

### Step 7: Attach Panlock Bracket

Position the panlock bracket on the polemount and U-bracket to determine which holes to use. If the hole on the U-bracket does not line up on the slots of the panlock bracket, use the next hole on the end (Figure 5 and 6).

### Step 8:

Attach the panlock bracket to the polemount arm's hole, preferably to the farthest hole from the edge using the provided 1/2-13x3" bolts, flat washers and nyloc nut. Do not tighten (Figure 6).

### Step 9:

Align the slotted end of the panlock bracket to a hole on the u-bracket. Use the farthest hole as much as possible to get the most leverage. Use the provided 1/2-13 bolts, washers and nuts or the 3/8-16 bolts, washers and nuts to secure the panlock bracket to the U-bracket. hardware to use depends on the hole available on the U-bracket (Figure 7).

### Step 10:

Tighten the bolts and nuts to permanently secure the panlock bracket.

### Step 11:

Install safety cable secure a safety cable to the pole or column, and then attach the other end of the safety cables to the speakers to bypass the mounting system.

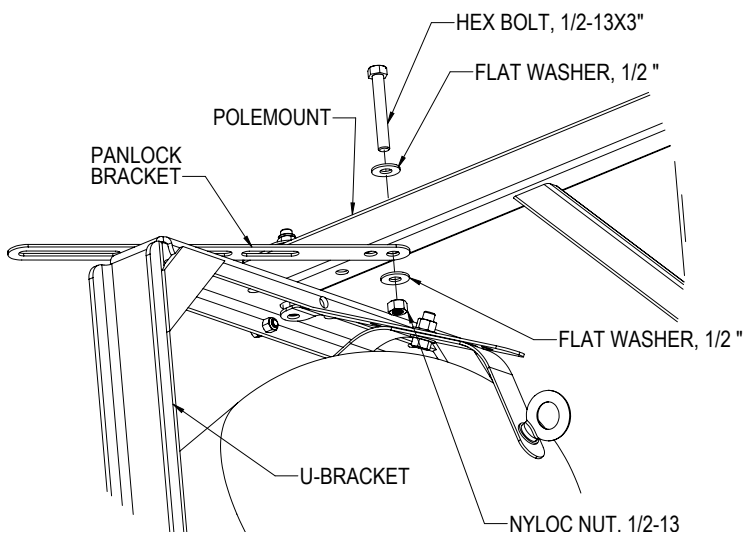


Figure 6

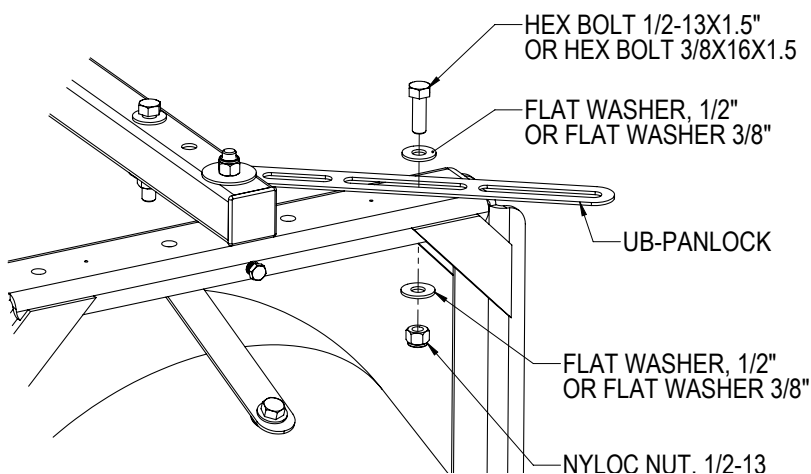


Figure 7