

PM-SAFETY-6DSS

SAFETY ANCHOR

STAINLESS

PoleStar®



When a pole or column does not offer an adequate way to attach safety cables, specify the PM-Safety-6DSS and corresponding band kit. This mount provides a structural method for anchoring safety cables. It installs above the pole adapter and safety cables are then secured to the safety anchor and each loudspeaker, thus bypassing the pole adapter completely.

For coastal shoreline applications contact customer service for proper stainless materials



STANDARD FEATURES:

- ▶ Provides safety cable anchor point for proper installation
- ▶ All stainless steel construction
- ▶ Load rated components
- ▶ Job-site ready
- ▶ Optional Accessories (See Next Page)

OPTIONAL ACCESORIES:

- ▶ (see next page)

SPECIFICATIONS:

Material: 304 Stainless Steel

Finish: Passivated

Color: Silver

WLL: 300 lb / 136.078

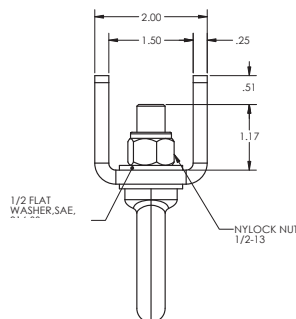
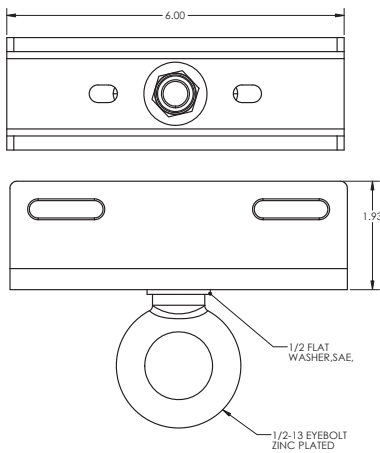
*WLL = Working Load Limit

PACKAGE CONTENTS:

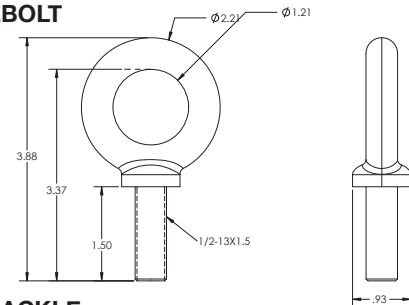
1 pc: Channel Mount Bracket

1 pc: Eyebolt 1/2"

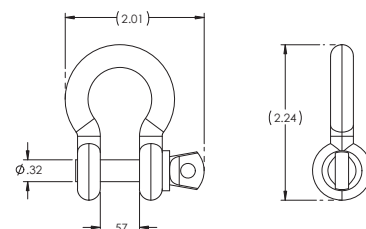
1 pc: 3/16" SPA Shackle



1/2" EYEBOLT



3/16" SHACKLE



PM-SAFETY-6DSS

STAINLESS

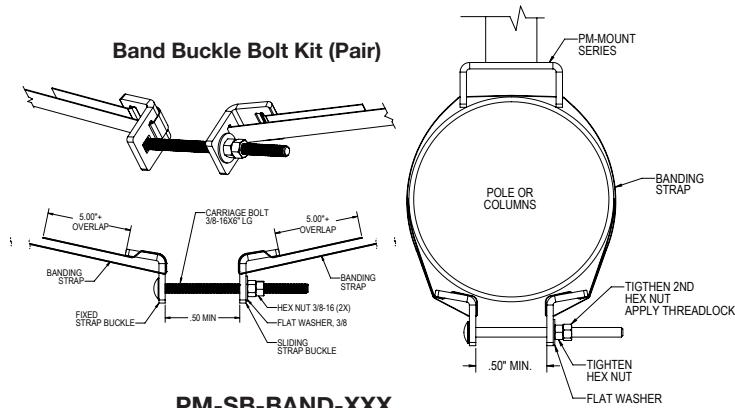
SAFETY ANCHOR

PoleStar®



PM-BAND-20S

For Poles 2"-6" Diameter



PM-SB-BAND-XXX

For Poles 6"- 32"

BAND STRAP KITS:

Five different length permanent band kits are available in stock lengths including 20", 30", 60", 90" and 120". Choose from the section below. Each kit contains 2 assemblies. These kits, when used per instructions, will support the stated working load of the selected pole adapter.

Model	Length	Width	Thickness	Max Pole Dia.	WLL	Weight
PM-Band-20S	20"/508mm	.50/13mm	.02 / 0.508mm	6"/152mm	150 / 68kg	.7 lb. / .32 kg
PM-SB-BAND-30	30"/762mm	.75/19mm	.03 / 0.762	6"/152mm	300 / 136kg	1.5 lb. / 0.7 kg
PM-SB-BAND-60	60"/1524mm	.75/19mm	.03 / 0.762	15"/381	300 / 136kg	2.0 lb. / 1.9 kg
PM-SB-BAND-90	90"/2286mm	.75/19mm	.03 / 0.762	25"/635mm	300 / 136kg	2.5 lb. / 1.1 kg
PM-SB-BAND-120	120"/3048mm	.75/19mm	.03 / 0.762	32"/813mm	300 / 136kg	3.0 lb. / 1.36 kg

SAFETY CABLES:

Model #	Length (Loop to Loop) Inches/mm	Description QTY & Contents	MATL	Static WLL (lbs/kg)	Style
SC-188-18-SS	18"/450	3/16" Wire Rope 7X19 (2) 1/4" Shackle	SS	750/ 340	B
SC-188-24-SS	24"/610	3/16" Wire Rope 7X19 (2) 1/4" Shackle	SS	750/ 340	B
SC-188-30-SS	30"/762	3/16" Wire Rope 7X19 (2) 1/4" Shackle	SS	750/ 340	B
SC-188-48-SS	48"/1220	3/16" Wire Rope 7X19 (2) 1/4" Shackle	SS	750/ 340	B
SC-188-72-SS	72"/1830	3/16" Wire Rope 7X19 (2) 1/4" Shackle	SS	750/ 340	B
SC-188-96-SS	96"/2438	3/16" Wire Rope 7X19 (2) 1/4" Shackle	SS	750/ 340	B

Style B

