

Installation Guide

PS-1.5NPS-2

Saddle Bracket Mount



The PS-1.5NPS-2 provides a load rated structural hang point designed to accommodate 1.5NPS and 1.5NPT pipe. The saddle can be secured to 1.5" up to 2" diameter pipe or box truss.

Ideal applications include but are not limited to theatres, studios and retail.

Contents:

Be sure that all of the following items are included in this kit before proceeding:

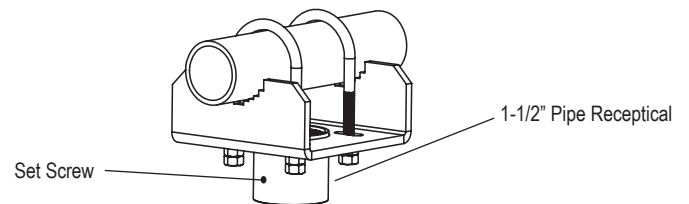
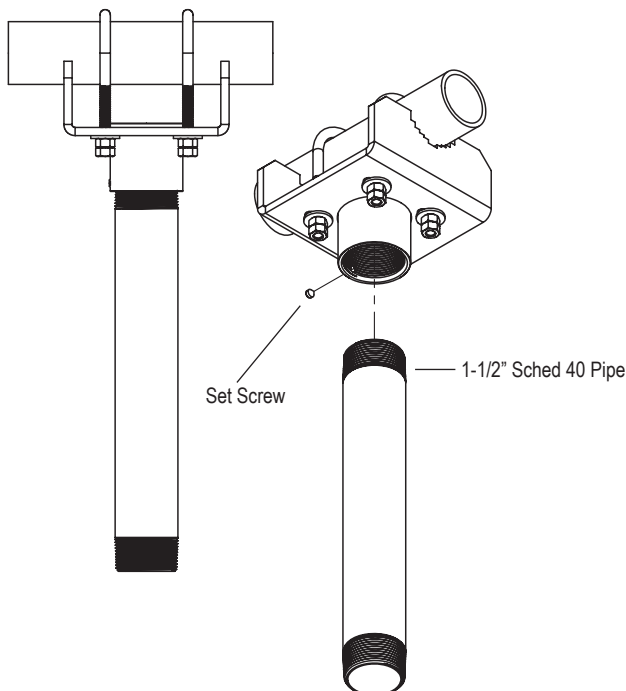
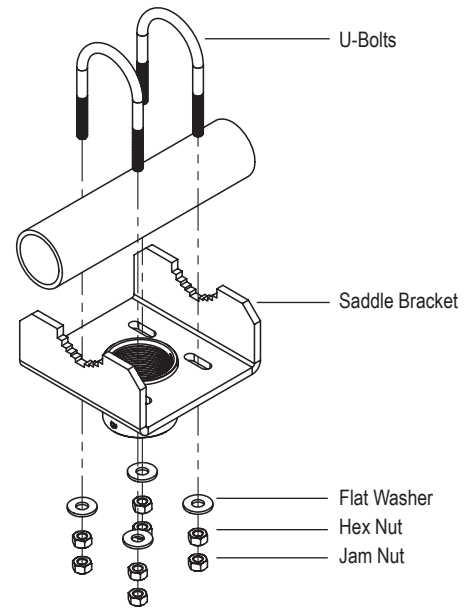
- 1 pcs. Saddle Bracket Assembly
- 1 Bag Hardware Kit

Installation Procedure:

Step 1: Clamp pipe saddle to 2" pipe or truss chord with u-bolts. Secure with flat washer and hex nuts. One each per side.

Step 2: Attach and fully tighten selected vertical pipe section and secure to saddle receptacle with supplied set screw.

Step 3: Complete installation of supported load then tighten u-bolt nuts again.



Step 4: Add jam nuts and tighten to each end of u-bolts.

Step 5: Re-Tighten set screw to vertical tube.

ALWAYS INSTALL SAFETY CABLES

WARNING: Mounting and/or suspension of audio and video equipment requires experienced professionals. Improperly installed loudspeakers can result in property damage, personal injury and/or liability to the installing contractor.